


**KOHLER**engines

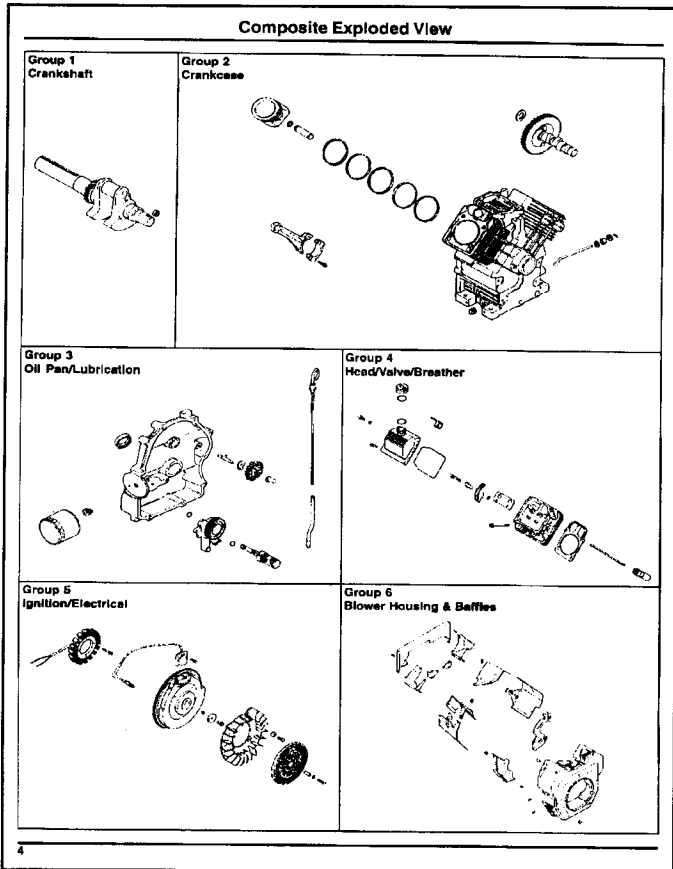
***PARTS MANUAL***  
***COMMAND 18-25 HP***  
**Horizontal Crankshaft**



**CH18 Specs. 62500 – 62550**  
**CH20 Specs. 64500 – 64558**  
**CH22 Specs. 66500 – 66530**  
**CH25 Specs. 68500 – 68545**

COMMAND

# How To Find Part Numbers



1. Turn the page of the parts manual to the "Composite Exploded View." Notice the boxed groupings identified by their function along with a corresponding number. The group function and number applies to all engine models.

For example:

Function (Group Description)	Group Number
Crankshaft .....	1
Crankcase .....	2
Oil Pan/Lubrication .....	3
Cylinder Head/Valve/Breather .....	4
Ignition/Electrical .....	5
Blower Housing & Baffles .....	6
Starting System .....	7

Remember the Group Number in which you located your part. (If the part you need is not illustrated, locate a major engine function related to your part and use that Group Number.)

Example: You need a closure plate for CH18, Spec. No. 62500. The closure plate is found in Group 3.

2. Now turn to the pages titled "Specification Number Index." When scanning these pages, you'll notice:

- Page Numbers indexing where Group Parts are listed (for Group 3 the listing begins on page 13).
- Specification Numbers listed vertically down the first column.
- "Variation Numbers" in the Group Number columns. (These numbers specifically identify a particular group [combination] of parts used in a particular spec. – and are used to locate the specific part numbers.)

Locate your Specification Number in the first column. Go across the page to the Group Number column for your part. Jot down the Variation Number found in that column. For our example (Spec. No. 62500), the Variation Number under Group 3 is "32".

Specification Number Index												
Group Title & Number	Crankshaft			Crankcase			Oil Pan/Lubrication			Head/Valve/Breather		
	1	2	3	4	5	6	7	8	9	10	11	
Page No.	10	11	13	14	15	16	17	18	19	20	21	
Grid No.	A10	A11	A13	B6	B7	B8	B9	B10	B11	B12	B13	
62500	1	24	32	400								
62501	1	24	32	400								
62502	27	24	34	400								
62503	27	24	34	400								
62504	8	25	40	400								
62505	27	28	34	400								
62506	10	24	32	400								
62507	1	24	32	2								
62509	2	4	9	402								
62510	5	4	53	405								
62511	2	4	13	4								
62512	1	4	12	400								
62513	3	4	24	17								
62514	1	12	10	6								
62515	1	4	13	400								
62516	5	4	14	400	20	4	200	13	12	200	202	
62517	1	4	7	403	24	5	200	21	12	5	6	
62519	27	4	29	403	5	6	200	6	13	201	1	
62520	1	4	8	400	37	1	200	6	17	200	203	
62521	4	4	7	403	5	1	200	6	13	201	3	
62522	14									201	11	
62523	15									201	1	
62524	10									201	7	
62525	12									201	14	
62526	1	4	13	400	84	35	5	1	17	200	6	
62527	1	4	8	400	188	1	5	6	13	201	3	
62528	1	4	32	400	5	1	5	6	20	201	3	
62530	10	4	16	400	188	6	5	6	13	201	204	
62532	1	4	8	400	105	93	5	6	20	201	3	
62533	1	4	30	400	94	80	5	52	1	200	3	
62534	14	4	8	30	109	98	5	64	33	200	11	
62535	15	4	48	400	25	80	5	13	12	200	3	
62536	2	4	64	402	130	37	5	114	12	201	7	
62538	20	4	300	400	105	93	5	81	12	12	6	
62540	1	4	30	2	46	10	5	52	7	2	45	
62541	27	4	34	2	402	39	5	52	22	2	1	
62542	2	4	13	2	137	98	5	6	28	1	6	
62544	8	21	85	28	154	88	5	90	46	1	6	
62546	1	10	32	2	185	101	8	98	1	1	205	
62548	8	23	73	16	189	89	5	58	52	2	206	
62550	5	4	53	8	6	101	5	52	1	1	7	
64500	3	24	32	400	32	39	200	51	1	200	3	
64501	3	24	32	400	46	10	200	51	7	201	3	
64503	1	24	32	400	46	10	200	51	7	201	3	
64506	15	24	50	2	46	10	5	51	7	2	3	

Contact your Kohler engines parts supplier for any specification not listed. For Short Blocks and Replacement Engines refer to Selection Guide TP-2470.

# How To Find Part Numbers

CH18-25

Group 3  
Oil Pan/Lubrication

Index Number	Description Variation Number	Part Number	Index Number	Description Variation Number	Part Number
1	Plate assembly, closure (Includes 2-10,13,15) 7,8,12,32,37,46,64,65,66,67,71, 86,300	24 009 82	4	Shaft, governor gear 7,8,9,10,11,12,13,14,15,16,20,21, 24,25,26,29,32,34,37,39,40,41,42, 44,45,46,47,48,49,50,52,53,54,56, 58,59,61,62,64,65,66,67,71,73,79, 84,86,300	12 144 02
1	Plate assembly, closure (Includes 2-10,13,15) 7,8,12,32,37,46,64,65,66,67,71, 86,300	24 009 82			
1	Plate assembly, closure (Includes 2-10,13,15) 7,8,12,32,37,46,64,65,66,67,71, 86,300	24 009 82			
1	Plate assembly, closure (Includes 2-10,13,15) 7,8,12,32,37,46,64,65,66,67,71, 86,300	24 009 82			
1	Plate assembly, closure (Includes 2-10,13,15) 7,8,12,32,37,46,64,65,66,67,71, 86,300	24 009 82			
1	Plate assembly, closure (Includes 2-10,13,15) 7,8,12,32,37,46,64,65,66,67,71, 86,300	24 009 82			
2	Seal, oil (PTO end) 7,8,9,10,11,12,13,14,15,16,20,21, 24,25,26,29,32,34,37,39,40,41,42, 44,45,46,47,48,49,50,52,53,54,56, 58,59,61,62,64,65,66,67,71,73,77, 79,84,86,300	52 032 08			
3	O-Ring 7,8,9,10,11,12,13,14,15,16,20,21, 24,25,26,29,32,34,37,39,40,41,42, 44,45,46,47,48,49,50,52,53,54,56, 58,59,61,62,64,65,66,67,71,73,77, 79,84,86,300	24 153 08			

3. Go to the page for your Group (page 13) and look at the illustrations to find the one most similar to the original part.

- Each part in the illustration is identified with an index number or letter. Use that identifier to locate the part description in the listing.
- Find your "Variation Number", from step 2, immediately below the description.
- The correct Part Number will be in the column to the right of your Variation Number.

For our example, the closure plate assembly that looks like the original is Index No. 1. Looking in the listing next to Index No. 1 we find our Variation Number (32), is shown, so the correct part number is 24 009 82.

CH18,20,22,25

There are several methods of repowering CH18,20,22,25 engines to consider - with the choice depending on your shop facilities, repair costs, and allowable downtime of the engine.

- Engine Replacement:** When decision is to replace, use a Kohler Replacement Engine - No modifications required.
- Short Block Replacement:** When engine including the crankshaft is extensively damaged or worn internally.
- Miniblock Replacement:** When bore, piston, and connecting rod are damaged but crankshaft and all other parts are in good condition.
- Complete Overhaul:** Rebore cylinder and reground crankshaft, using appropriate oversize and/or undersize replacement parts.

This Selection Guide provides an easy reference for determining the part number of the Replacement Engine, Short Block, or Miniblock required for the repower method selected. It also lists the part number of the crankshaft installed in the original engine.

Locate the engine specification number in the index below. Select the part number of the repair method listed in the adjacent columns.

Engine Spec No.	Replace Engine	Original Engine Crankshaft No.	Replace Short Block	Replace Miniblock	Engine Spec No.	Replace Engine	Original Engine Crankshaft No.	Replace Short Block	Replace Miniblock
62500	62503	24 014 02	24 522 01	24 782 01	62522	-	24 014 36	24 522 28	24 782 01
62501	62501	24 014 02	24 522 01	24 782 01	62523	-	24 014 20	24 522 23	24 782 01
62502	62502	24 014 82	24 522 63	24 782 01	62524	-	24 014 16	24 522 24	24 782 01
62503	62503	24 014 82	24 522 63	24 782 01	62525	-	24 014 34	24 522 25	24 782 01
62504	62504	24 014 08	24 522 19	24 782 02	62526	-	24 014 02	24 522 26	24 782 01
62505	62505	24 014 69	24 522 49	24 782 01	62527	-	24 014 02	24 522 01	24 782 01
62506	62506	24 014 16	24 522 24	24 782 01	62528	-	24 014 02	24 522 01	24 782 01
62507	62507	24 014 02	24 522 01	24 782 01	62529	-	24 014 16	24 522 24	24 782 01
62508	62509	24 014 06	24 522 04	24 782 01	62530	-	24 014 02	24 522 01	24 782 01
62510	62510	24 014 14	24 522 47	24 782 01	62531	-	24 014 02	24 522 01	24 782 01
62511	-	24 014 06	24 522 04	24 782 01	62532	-	24 014 06	24 522 04	24 782 01
62512	-	24 014 02	24 522 01	24 782 01	62533	-	24 014 36	24 522 28	24 782 01
62513	62513	24 014 06	24 522 04	24 782 01	62534	-	24 014 20	24 522 23	24 782 01
62514	62514	24 014 30	24 522 20	24 782 02	62535	-	24 014 05	24 522 06	24 782 01
62515	-	24 014 24	24 522 21	24 782 01	62536	-	24 014 32	24 522 20	24 782 01
62516	-	24 014 14	24 522 47	24 782 01	62537	-	24 014 02	24 522 01	24 782 01
62517	-	24 014 02	24 522 01	24 782 01	62538	-	24 014 02	24 522 01	24 782 01
62518	-	24 014 82	24 522 63	24 782 01	62539	-	24 014 06	24 522 04	24 782 01
62519	-	24 014 02	24 522 01	24 782 01	62540	-	24 014 32	24 522 20	24 782 01
62520	-	24 014 02	24 522 01	24 782 01	62541	-	24 014 02	24 522 01	24 782 01
62521	-	24 014 22	24 522 22	24 782 01	62542	-	24 014 08	-	24 782 02
					62543	-	24 014 02	24 522 01	24 782 01
					62544	-	24 014 08	24 522 30	24 782 02
					62545	-	24 014 72	24 522 64	24 782 01
					62546	-	24 014 08	-	24 782 02
					62547	-	24 014 14	24 522 47	24 782 01

\*Basic Engine All Short Blocks include an overhaul gasket set.

## Special Features

Near the end of the Parts Manual Binder is a separate section devoted to repair options for major damage. "Selection Guides" for each model engine give several different methods of repairing Kohler Engines.....with the choice dependent on shop facilities, costs, and allowable downtime of the engine and/or equipment.

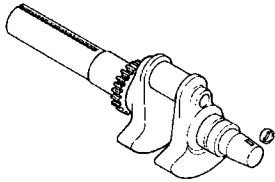
Selection Guides are easy references for determining Part Numbers of Replacement Engines, Short Blocks, or Miniblocks. They also list Part Numbers of crankshafts installed in original engines.

Here is what you'll find:

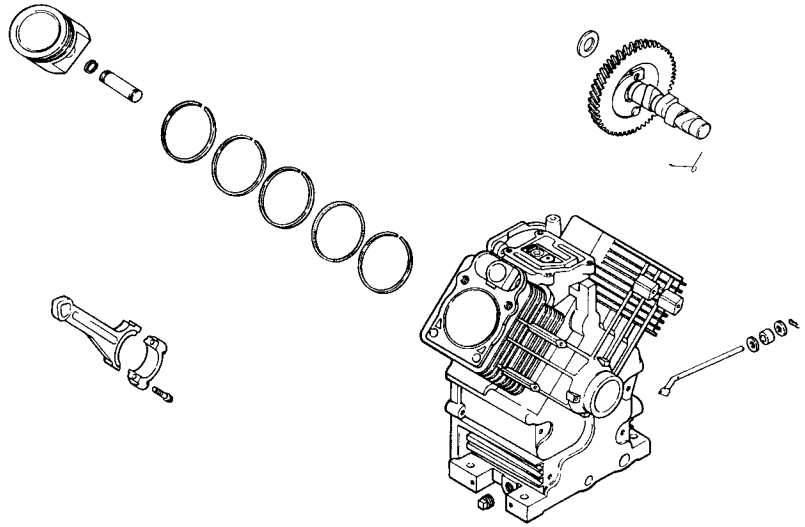
- Engine model is identified on each page for easy reference.
- Bold column heads identify the various repower options for every engine spec.
- Replacement Engines, Short Blocks, or Miniblocks.

# Composite Exploded View

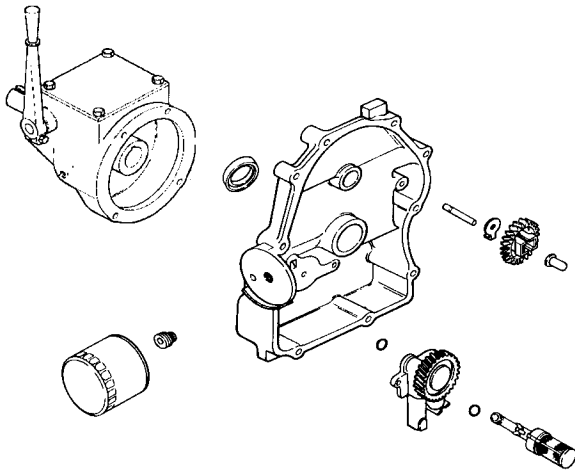
**Group 1  
Crankshaft**



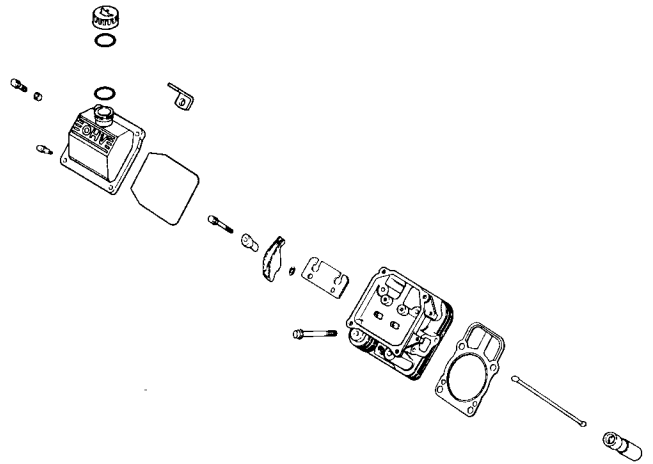
**Group 2  
Crankcase**



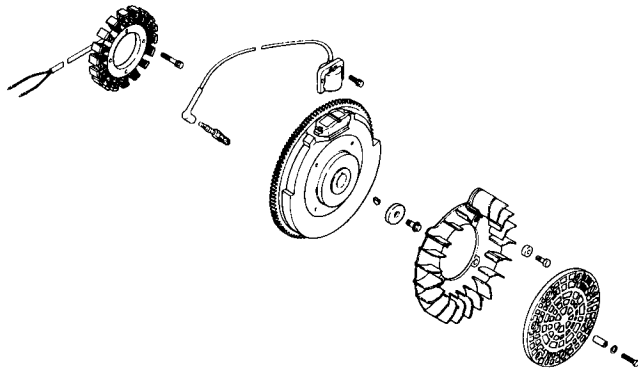
**Group 3  
Oil Pan/Lubrication**



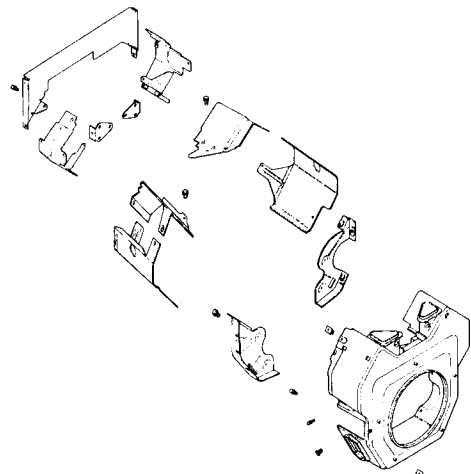
**Group 4  
Head/Valve/Breather**



**Group 5  
Ignition/Electrical**

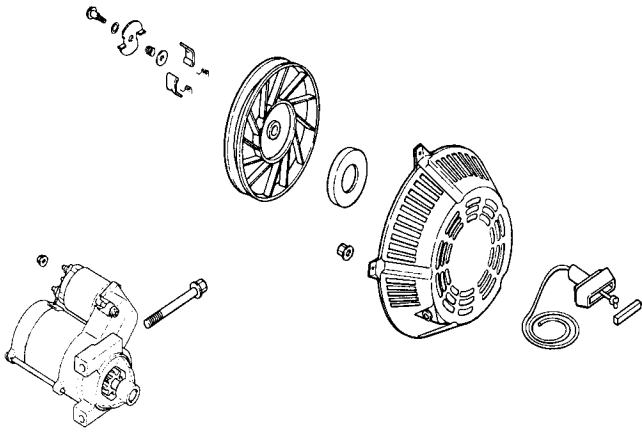


**Group 6  
Blower Housing & Baffles**

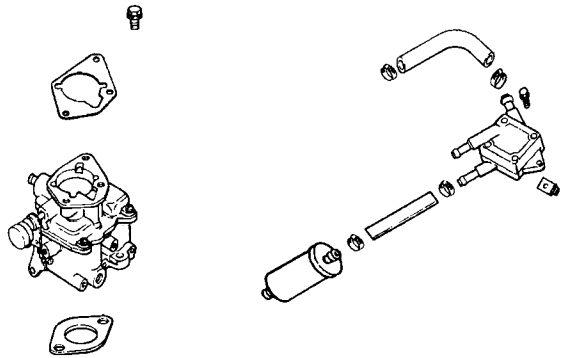


# Composite Exploded View

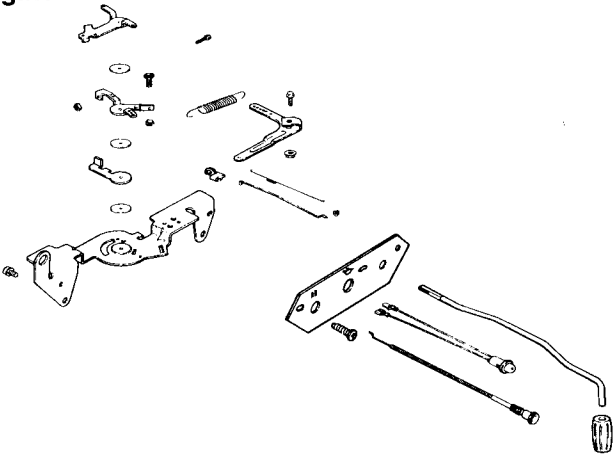
**Group 7**  
**Starting System**



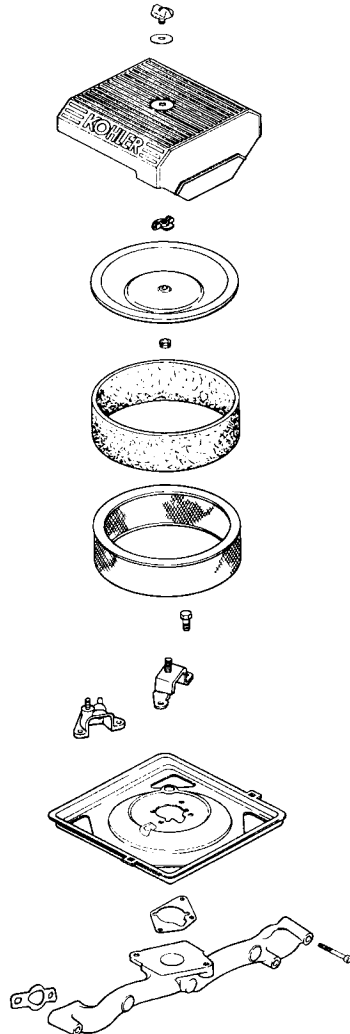
**Group 8**  
**Fuel System**



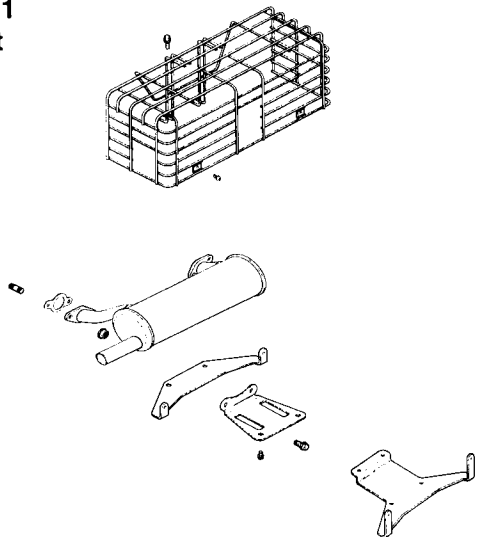
**Group 9**  
**Engine Controls**



**Group 10**  
**Air Intake**



**Group 11**  
**Exhaust**



## Specification Number Index

Group Title & Number	Crankshaft	Crankcase	Oil Pan/Lubrication	Head/Valve/Breather	Ignition/Electrical	Blower Housing & Baffles	Starting System	Fuel System	Engine Controls	Air Intake/Filtration	Exhaust
	1	2	3	4	5	6	7	8	9	10	11
Page No.	10	11	13	20	23	32	36	40	49	53	63
Grid No.	A10	A11	A13	B6	B9	C4	C8	C12	D7	D11	E7

**Spec. No.**

**Variation No.**

62500	1	24	32	400	32	39	200	52	1	200	3
62501	1	24	32	400	400	10	200	52	7	201	3
62502	27	24	34	400	32	39	200	52	1	200	3
62503	27	24	34	400	46	10	200	52	7	201	3
62504	8	25	40	400	70	33	5	52	28	201	3
62505	27	28	34	400	121	72	7	52	7	201	3
62506	10	24	52	400	46	10	5	52	7	201	3
62507	1	24	32	2	181	10	5	52	7	27	50
62509	2	4	9	402	2	10	200	2	2	11	6
62510	5	4	53	405	6	4	200	106	29	200	200
62511	2	4	13	4	8	1	200	9	12	200	6
62512	1	4	12	400	16	1	200	15	9	201	3
62513	2	4	24	17	14	35	200	9	12	200	6
62514	9	12	10	6	17	92	200	6	15	200	6
62515	11	4	13	400	18	1	200	14	12	200	201
62516	5	4	14	400	20	4	200	13	12	200	202
62517	1	4	7	403	24	5	200	21	12	5	6
62519	27	4	29	403	5	6	200	6	13	201	1
62520	1	4	8	400	37	1	200	6	17	200	203
62521	4	4	7	403	5	1	200	6	13	201	3
62522	14	4	7	403	31	4	200	6	12	201	11
62523	15	4	20	400	47	1	5	6	27	201	1
62524	10	4	16	400	401	1	200	6	22	201	7
62525	12	9	26	400	62	1	5	35	17	200	14
62526	1	4	13	400	84	35	5	1	17	200	6
62527	1	4	8	400	188	1	5	6	13	201	3
62528	1	4	32	400	5	1	5	6	20	201	3
62530	10	4	16	400	189	6	5	6	13	201	204
62532	1	4	8	400	86	1	5	6	20	201	3
62533	1	4	32	400	94	80	5	52	1	200	3
62534	14	4	8	30	109	98	5	64	33	200	11
62535	15	4	48	400	25	80	5	13	12	200	3
62536	2	4	64	402	130	37	5	114	12	201	7
62538	20	4	300	400	105	95	5	81	12	12	6
62540	1	4	32	2	46	10	5	52	7	2	45
62541	27	4	34	2	402	39	5	52	22	2	1
62542	2	4	13	2	137	96	5	6	26	1	6
62544	8	21	65	26	154	88	5	90	46	1	6
62546	23	18	32	2	165	101	8	96	1	1	205
62548	8	23	73	16	189	89	5	56	52	2	206
62550	5	4	53	8	6	101	5	52	1	1	7
64500	3	24	32	400	32	39	200	51	1	200	3
64501	3	24	32	400	46	10	200	51	7	201	3
64503	1	24	32	400	46	10	200	51	7	201	3
64506	15	24	56	2	46	10	5	51	7	2	3

Contact your Kohler engines parts supplier for any specification not listed.

For Short Blocks and Replacement Engines refer to Selection Guide TP-2470.

## Specification Number Index

Group Title & Number	Crankshaft	Crankcase	Oil Pan/Lubrication	Head/Valve/Breather	Ignition/Electrical	Blower Housing & Baffles	Starting System	Fuel System	Engine Controls	Air Intake/Filtration	Exhaust
	1	2	3	4	5	6	7	8	9	10	11
<b>Page No.</b>	10	11	13	20	23	32	36	40	49	53	63
<b>Grid No.</b>	A10	A11	A13	B6	B9	C4	C8	C12	D7	D11	E7

Spec. No.	Variation No.										
64507	3	24	32	2	181	10	5	51	7	27	50
64509	2	4	9	402	2	10	200	3	2	11	6
64510	5	4	53	405	6	4	200	105	29	200	200
64511	2	8	13	400	403	300	200	300	26	202	6
64512	2	4	13	4	8	1	200	10	12	200	6
64513	1	4	32	400	29	57	200	63	12	200	48
64514	7	4	37	400	13	1	200	5	12	200	8
64515	3	4	8	400	188	73	200	5	13	201	207
64516	8	5	8	400	22	38	2	4	16	201	7
64517	10	4	11	403	10	1	200	5	12	200	208
64518	13	4	32	400	26	6	200	47	13	201	209
64519	12	4	8	400	23	1	200	5	17	200	210
64520	8	5	15	400	189	73	200	301	16	201	7
64521	10	4	16	400	25	38	200	5	12	200	3
64522	1	4	8	400	28	8	200	19	12	200	1
64523	3	4	13	400	44	6	200	4	25	203	211
64524	4	4	13	400	42	35	200	302	12	200	212
64525	1	4	7	403	5	1	200	5	13	201	3
64526	2	4	32	400	22	39	5	5	12	200	3
64527	20	4	24	403	20	37	5	31	17	8	9
64529	1	4	32	400	97	73	5	5	13	201	3
64530	1	4	8	400	5	1	5	5	20	201	3
64531	1	4	25	400	61	4	5	34	12	200	29
64532	1	4	7	403	404	1	5	5	12	5	5
64533	21	4	8	400	113	1	5	303	12	200	20
64536	3	4	32	400	92	4	5	47	13	201	213
64537	7	4	86	400	13	1	5	65	12	200	8
64538	24	8	47	400	21	35	5	5	26	5	6
64539	11	4	8	400	105	37	5	19	12	200	7
64540	15	4	48	400	25	80	5	70	12	200	3
64541	5	4	7	403	122	1	5	5	12	200	11
64542	3	4	8	400	405	68	5	5	12	5	214
64543	2	4	64	402	126	8	5	304	12	201	7
64544	1	4	12	400	123	1	5	78	9	201	3
64545	14	5	8	400	109	67	5	79	12	200	11
64546	1	4	8	400	128	77	5	83	43	5	44
64547	20	4	300	400	406	95	5	84	12	12	6
64548	3	4	32	2	46	10	5	51	7	2	7
64549	2	4	13	2	137	96	5	5	26	2	6
64550	1	4	8	2	86	1	5	5	20	2	3
64551	1	4	32	2	188	10	5	109	12	1	3
64553	7	29	77	34	171	99	5	100	53	20	6
64554	12	31	79	8	174	100	5	5	26	21	6
64555	1	4	53	8	6	101	5	51	1	1	7
64556	20	4	24	1	20	37	5	31	17	28	9

For Short Blocks and Replacement Engines refer to Selection Guide TP-2470.

Contact your Kohler engines parts supplier for any specification not listed.

## Specification Number Index

Group Title & Number	Crankshaft	Crankcase	Oil Pan/Lubrication	Head/Valve/Breather	Ignition/Electrical	Blower Housing & Baffles	Starting System	Fuel System	Engine Controls	Air Intake/Filtration	Exhaust
	1	2	3	4	5	6	7	8	9	10	11
<b>Page No.</b>	10	11	13	20	23	32	36	40	49	53	63
<b>Grid No.</b>	A10	A11	A13	B6	B9	C4	C8	C12	D7	D11	E7

Spec. No.	Variation No.										
64558	1	4	32	2	185	39	5	51	12	12	41
66500	3	24	32	400	40	74	200	51	1	200	3
66501	3	24	32	400	79	12	200	51	7	201	3
66504	8	25	40	400	80	34	5	51	28	201	3
66507	3	24	32	2	182	12	5	51	7	27	50
66509	12	4	13	400	38	74	5	4	17	200	6
66510	2	4	9	402	48	23	5	3	2	11	6
66513	7	4	41	404	83	91	5	58	33	12	30
66514	13	4	32	400	89	34	5	47	13	201	19
66515	15	4	20	400	57	12	5	5	7	201	5
66516	3	4	32	400	93	23	5	47	13	201	213
66517	5	4	13	400	102	62	5	19	12	200	6
66518	11	4	8	400	106	62	5	19	201	200	7
66519	10	4	52	400	116	74	5	51	1	200	6
66522	5	4	24	403	34	74	5	5	17	200	6
66523	1	4	25	400	131	82	5	34	12	200	29
66524	3	4	24	1	134	12	5	4	13	15	6
66525	25	4	61	1	57	12	8	87	9	27	215
66526	1	4	66	2	187	84	5	5	17	1	203
66527	11	4	62	3	139	84	5	3	2	1	6
66528	23	18	32	2	164	74	8	47	1	1	205
66529	28	4	25	2	172	82	5	65	12	1	216
66530	10	4	52	2	184	74	5	51	1	1	5
68500	16	26	39	406	166	301	5	29	1	204	3
68501	16	26	39	406	407	302	5	29	30	205	3
68503	19	26	39	406	408	303	5	29	30	205	3
68504	8	27	45	406	118	71	5	29	28	205	3
68506	15	26	59	406	190	20	5	29	30	205	3
68507	16	26	39	406	183	20	5	29	30	206	217
68509	16	7	84	9	129	104	5	110	17	9	3
68512	16	7	21	406	144	302	5	29	32	205	3
68513	16	7	21	406	145	301	5	29	12	204	3
68514	3	7	46	407	78	55	5	55	12	204	218
68515	1	7	42	406	88	75	5	29	12	204	33
68516	16	7	39	406	146	303	5	29	30	205	3
68517	24	14	44	406	98	75	5	29	26	5	6
68518	19	7	21	406	144	302	5	29	32	205	3
68519	19	7	39	406	148	301	5	76	12	204	39
68520	19	7	21	406	104	71	5	29	34	205	219
68521	1	7	46	406	103	75	5	102	26	204	35
68522	16	7	21	406	90	61	5	29	31	5	220
68523	15	7	50	406	149	305	5	29	12	204	36
68524	15	7	49	406	150	304	5	111	12	204	33
68527	16	7	21	406	90	107	5	29	31	5	40
68528	8	15	54	406	146	20	5	29	16	205	33



## Specification Number Index

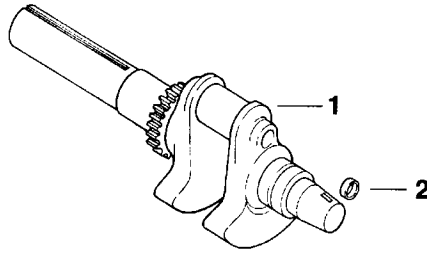
Group Title & Number	Crankshaft	Crankcase	Oil Pan/Lubrication	Head/Valve/Breather	Ignition/Electrical	Blower Housing & Baffles	Starting System	Fuel System	Engine Controls	Air Intake/Filtration	Exhaust
	1	2	3	4	5	6	7	8	9	10	11
Page No.	10	11	13	20	23	32	36	40	49	53	63
Grid No.	A10	A11	A13	B6	B9	C4	C8	C12	D7	D11	E7

**Spec. No.**
**Variation No.**

68529	1	7	46	406	149	84	5	29	12	204	36
68532	1	7	46	406	409	78	5	30	44	5	40
68533	5	7	58	407	41	75	5	29	17	204	6
68534	16	7	39	406	147	20	5	29	30	205	39
68536	16	7	67	9	155	20	5	76	17	9	221
68537	3	7	58	10	158	105	5	91	31	17	6
68538	16	7	39	9	39	51	5	29	30	7	33
68539	3	7	42	406	163	306	5	91	32	17	42
68540	16	7	39	406	156	84	5	29	1	5	3
68541	19	7	39	9	410	307	5	29	12	9	3
68542	3	22	71	9	98	51	5	107	51	9	43
68544	12	32	79	35	175	75	5	29	26	26	6
68545	16	26	39	4	178	84	5	29	1	9	3

## CH18-25

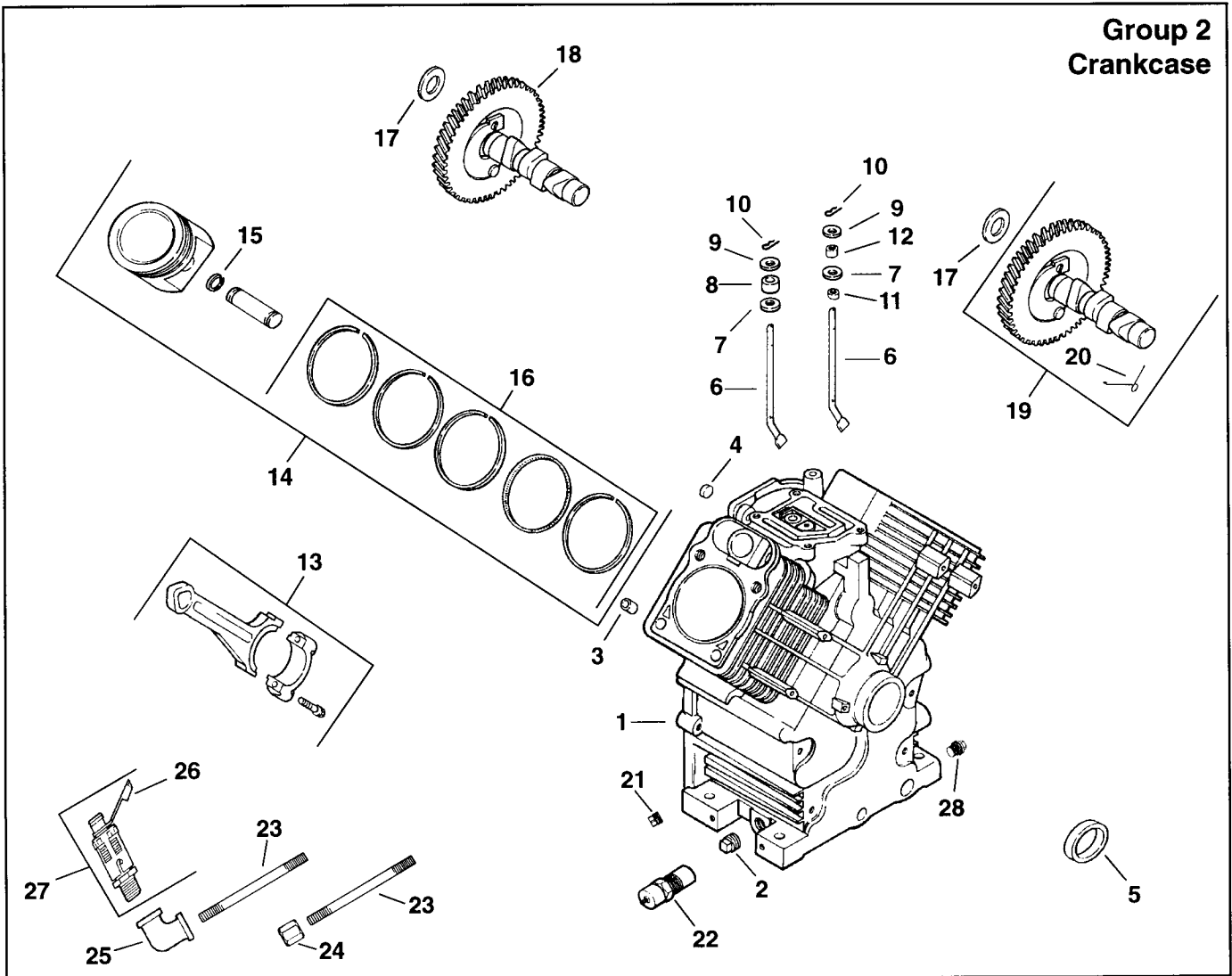
### Group 1 Crankshaft



Index Number	Description Variation Number	Part Number	Index Number	Description Variation Number	Part Number
1	<b>Crankshaft</b> (Includes 2) 1	24 014 02	1	<b>Crankshaft</b> (Includes 2) 15	24 014 20
1	<b>Crankshaft</b> (Includes 2) 2	24 014 06	1	<b>Crankshaft</b> (Includes 2) 16	24 014 40
1	<b>Crankshaft</b> (Includes 2) 3	24 014 04	1	<b>Crankshaft</b> (Includes 2) 19	24 014 70
1	<b>Crankshaft</b> (Includes 2) 4	24 014 22	1	<b>Crankshaft</b> (Includes 2) 20	24 014 32
1	<b>Crankshaft</b> (Includes 2) 5	24 014 14	1	<b>Crankshaft</b> (Includes 2) 21	24 014 68
1	<b>Crankshaft</b> (Includes 2) 7	24 014 26	1	<b>Crankshaft</b> (Includes 2) 23	24 014 72
1	<b>Crankshaft</b> (Includes 2) 8	24 014 08	1	<b>Crankshaft</b> (Includes 2) 25	24 014 74
1	<b>Crankshaft</b> (Includes 2) 9	24 014 30	1	<b>Crankshaft</b> (Includes 2) 27	24 014 82
1	<b>Crankshaft</b> (Includes 2) 10	24 014 16	1	<b>Crankshaft</b> (Includes 2) 28	24 014 84
1	<b>Crankshaft</b> (Includes 2) 11	24 014 24	2	<b>Plug, cup</b> (Order according to design used on engine) 1,2,3,4,5,7,8,9,10,11,12,13,14,15, 16,19,20,23,25,27,28 New Design (16.88 mm, 5/8" diameter)	52 139 09
1	<b>Crankshaft</b> (Includes 2) 12	24 014 34		Original Design (11.40 mm, 7/16" diameter)	12 139 01
1	<b>Crankshaft</b> (Includes 2) 13	24 014 38			
1	<b>Crankshaft</b> (Includes 2) 14	24 014 36			

# CH18-25

## Group 2 Crankcase



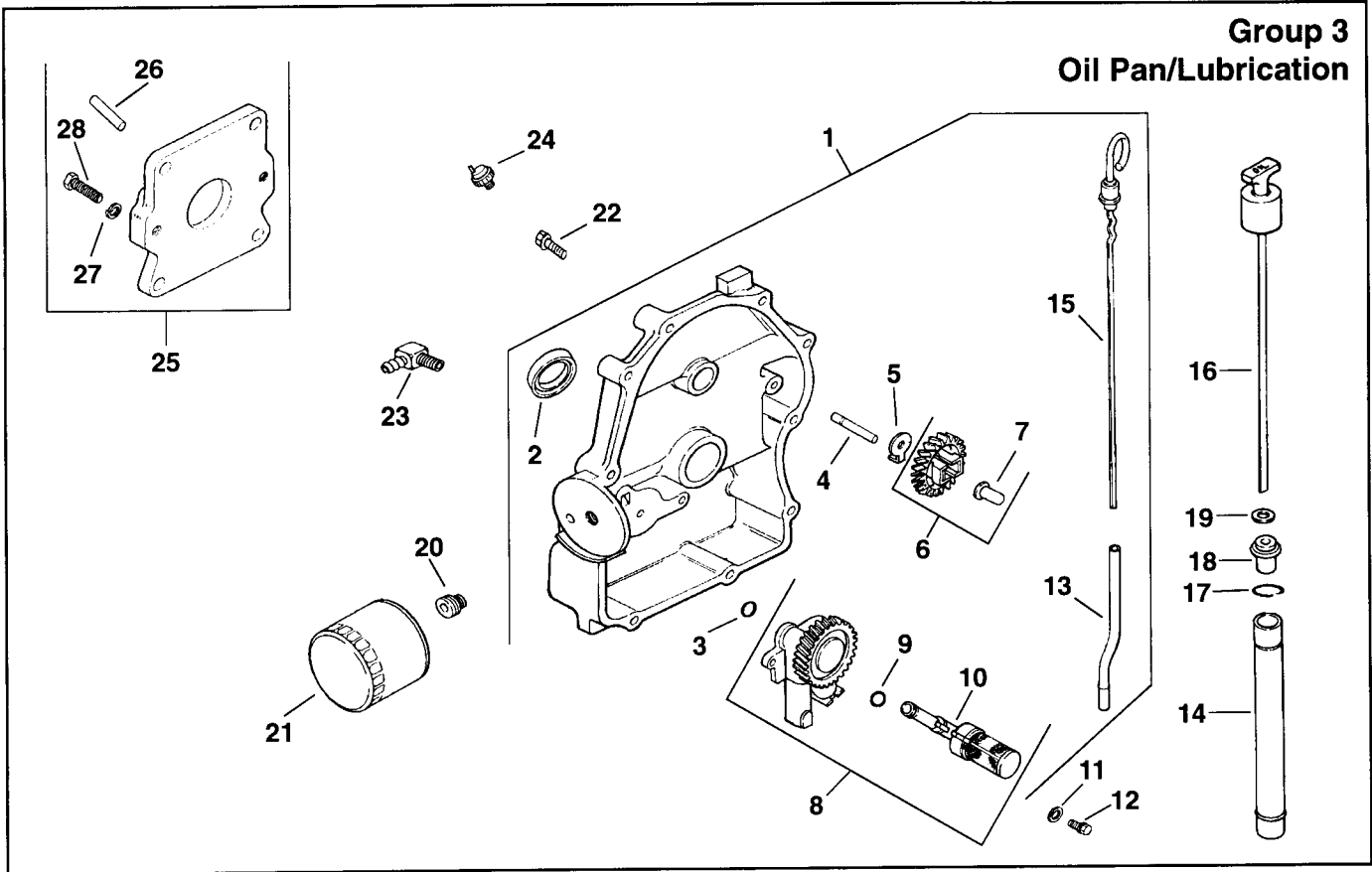
Index Number	Description Variation Number	Part Number	Index Number	Description Variation Number	Part Number
1	<b>Crankcase</b> (Service with Short Block or Miniblock. Refer to Selection Guide TP-2470)		7	<b>Washer, plain 1/4"</b> 4,5,7,8,9,12,14,15,18,21,22,23,24, 25,26,27,28,31,32	X-25-102
2	<b>Plug, sq. hd. solid 3/8" N.P.T.F. (2)</b> 4,5,7,12,15,18	X-75-10	8	<b>Seal, governor cross shaft</b> 4,7,8,9,14,18,24,26,28,31,32	12 032 01
2	<b>Plug, sq. hd. solid 3/8" N.P.T.F.</b> 9,21,22,23	X-75-10	9	<b>Washer, plain 1/4"</b> 4,5,7,8,9,12,14,15,18,21,22,23,24, 25,26,27,28,31,32	X-25-63
3	<b>Pin, dowel locating (6)</b> 4,5,7,8,9,12,14,15,18,21,22,23,24, 25,26,27,28,29,31,32	12 380 03	10	<b>Pin, hitch</b> 4,5,7,8,9,12,14,15,18,21,22,23,24, 25,26,27,28,31,32	12 380 04
4	<b>Plug, cup</b> 4,5,7,8,9,12,14,15,18,21,22,23,24, 25,26,27,28,29,31,32	52 139 09	11	<b>Bearing, needle - lower</b> 5,12,15,21,22,23,25,27	52 030 03
5	<b>Seal, oil front</b> 4,5,7,8,9,12,14,15,18,21,22,23,24, 25,26,27,28,29,31,32	24 032 01	12	<b>Bearing, needle - upper</b> 5,12,15,21,22,23,25,27	52 030 04
6	<b>Shaft, governor cross</b> 4,7,8,9,14,18,24,26,28,31,32	24 144 01	13	<b>Connecting Rod (Std.) (2)</b> (Replaced by 24 067 05) 4,5,8,9,12,14,15,21,23,24,25,26,27, 28,29	24 067 01
6	<b>Shaft, governor cross</b> 5,12,15,21,22,23,25,27	24 144 10	13	<b>Connecting Rod (Std.) (2)</b> 7,18,22,31,32	24 067 05

**Crankcase  
(Cont.)**

**CH18-25**

<b>Index Number</b>	<b>Description Variation Number</b>	<b>Part Number</b>	<b>Index Number</b>	<b>Description Variation Number</b>	<b>Part Number</b>
13	<b>Connecting Rod (.25) (2)</b> (To be replaced by 24 067 06) 4,5,8,9,12,14,15,21,23,24,25,26,27, 28,29	24 067 02	17	<b>Shim, camshaft (A.R.) (green)</b> (.03525 – .03675) 4,5,7,8,9,12,14,15,18,21,22,23,24, 25,26,27,28,29,31,32	12 422 11
13	<b>Connecting Rod (.25) (2)</b> 7,18,22,31,32	24 067 06	17	<b>Shim, camshaft (A.R.) (gray)</b> (.03725 – .03875) 4,5,7,8,9,12,14,15,18,21,22,23,24, 25,26,27,28,29,31,32	12 422 12
14	<b>Piston w/Ring Set (Std.) (2)</b> (Includes 15,16) 4,5,8,9,12,18,21,23,24,25,28,29,31	24 874 01	17	<b>Shim, camshaft (A.R.) (black)</b> (.03925 – .04075) 4,5,7,8,9,12,14,15,18,21,22,23,24, 25,26,27,28,29,31,32	12 422 13
14	<b>Piston w/Ring Set (Std.) (2)</b> (Includes 15,16) 7,14,15,22,26,27,32	24 874 04	18	<b>Camshaft</b> 4,5,8,9,12,15,21,22,23,24,25,29,31	24 012 05
14	<b>Piston w/Ring Set (.25) (2)</b> (Includes 15,16) 4,5,8,9,12,18,21,23,24,25,28,29,31	24 874 02	18	<b>Camshaft</b> (Replaced by 24 012 05) 7,14,26,27,32	24 012 06
14	<b>Piston w/Ring Set (.50) (2)</b> (Includes 15,16) 4,5,8,9,12,18,21,23,24,25,28,29,31	24 874 03	19	<b>Camshaft assembly</b> (Includes 20) 18,28	24 010 03
15	<b>Retainer, piston pin (4)</b> 4,5,7,8,9,12,14,15,18,21,22,23,24, 25,26,27,28,29,31,32	24 018 01	20	<b>Spring, actuating (ACR)</b> 18,28	24 089 21
16	<b>Ring Set (Std.) (2)</b> 4,5,8,9,12,18,21,23,24,25,28,29,31	24 108 01	21	<b>Plug, allen hd. 1/8"</b> 5,15,21,22,23,25,27	X-75-23
16	<b>Ring Set (Std.) (2)</b> 7,14,15,22,26,27,32	24 108 04	22	<b>Sensor, oil temperature</b> 8,14,31,32	24 418 01
16	<b>Ring Set (.25) (2)</b> 4,5,8,9,12,18,21,23,24,25,28,29,31	24 108 02	22	<b>Sensor, oil temperature</b> 22,29	24 418 02
16	<b>Ring Set (.50) (2)</b> 4,5,8,9,12,18,21,23,24,25,28,29,31	24 108 03	23	<b>Nipple, pipe 2"</b> 8,14,21,31,32	25 136 15
17	<b>Shim, camshaft (A.R.) (white)</b> (.02725 – .02875) 4,5,7,8,9,12,14,15,18,21,22,23,24, 25,26,27,28,29,31,32	12 422 07	23	<b>Nipple, pipe 4"</b> 9	25 136 12
17	<b>Shim, camshaft (A.R.) (blue)</b> (.02925 – .03075) 4,5,7,8,9,12,14,15,18,21,22,23,24, 25,26,27,28,29,31,32	12 422 08	24	<b>Cap, pipe</b> 8,9,14,31,32	12 173 03
17	<b>Shim, camshaft (A.R.) (red)</b> (.03125 – .03275) 4,5,7,8,9,12,14,15,18,21,22,23,24, 25,26,27,28,29,31,32	12 422 09	25	<b>Elbow, pipe</b> 21	X-215-9
17	<b>Shim, camshaft (yellow)</b> (.03325 – .03475) 4,5,7,8,9,12,14,15,18,21,22,23,24, 25,26,27,28,29,31,32	12 422 10	26	<b>Cap, oil drain valve</b> 21,23,29	25 173 14
			27	<b>Kit, oil drain valve</b> (Includes 26) 21,23,29	25 755 14
			28	<b>Plug, hex. hd. 3/8" N.P.T.F. (2)</b> 24,25,26,27,28	52 139 02

**Group 3  
Oil Pan/Lubrication**



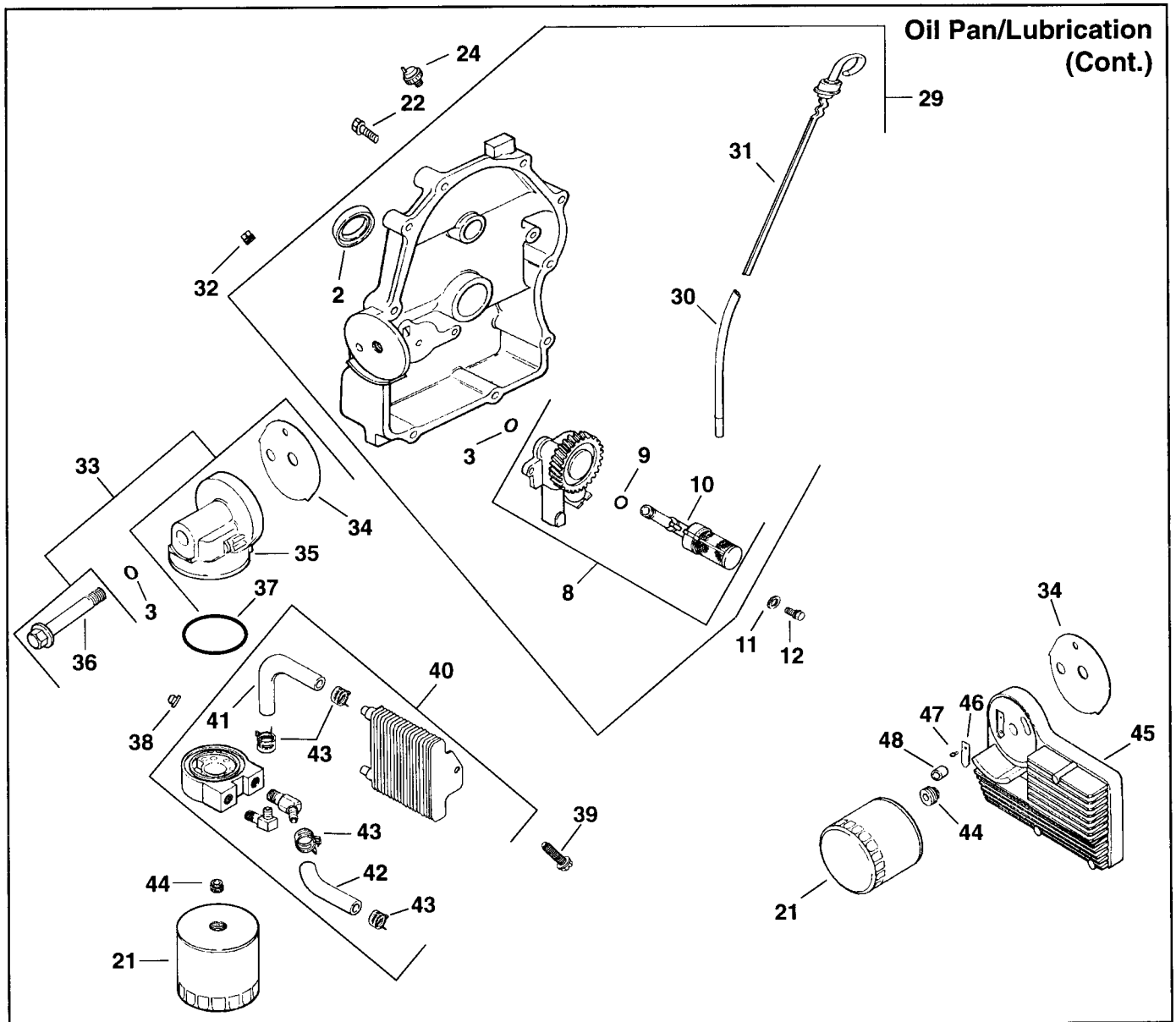
Index Number	Description Variation Number	Part Number	Index Number	Description Variation Number	Part Number
1	<b>Plate assembly, closure</b> (Includes 2-10,13,15) 7,8,12,32,37,46,64,65,66,67,71, 86,300	24 009 82	4	<b>Shaft, governor gear</b> 7,8,9,10,11,12,13,14,15,16,20,21, 24,25,26,29,32,34,37,39,40,41,42, 44,45,46,47,48,49,50,52,53,54,56, 58,59,61,62,64,65,66,67,71,73,79, 84,86,300	12 144 02
1	<b>Plate assembly, closure</b> (Includes 2-10,13,15) 9,11,13,16,20,24,25,26,42,48,49, 50,52,56,58,59,62	24 009 83	5	<b>Tab, locking</b> 7,8,9,10,11,12,13,14,15,16,20,21, 24,25,26,29,32,34,37,39,40,41,42, 44,45,46,47,48,49,50,52,53,54,56, 58,59,61,62,64,65,66,67,71,73,79, 84,86,300	52 448 02
1	<b>Plate assembly, closure</b> (Includes 2-10,13,15) 10,14,15,24,29,54	24 009 85	6	<b>Kit, governor gear w/pin</b> (Includes 7) 7,8,9,10,11,12,13,14,15,16,20,21, 24,25,26,29,32,34,37,39,40,41,42, 44,45,46,47,48,49,50,52,53,54,56, 58,59,61,62,64,65,66,67,71,73,79, 84,86,300	24 043 12
1	<b>Plate assembly, closure</b> (Includes 2-10,13,15) 40,45,61	24 009 90	7	<b>Pin, governor regulating</b> 7,8,9,10,11,12,13,14,15,16,20,21, 24,25,26,29,32,34,37,39,40,41,42, 44,45,46,47,48,49,50,52,53,54,56, 58,59,61,62,64,65,66,67,71,73,79, 84,86,300	12 380 01
1	<b>Plate assembly, closure</b> (Includes 2-10,13,15) 73	24 009 94			
2	<b>Seal, oil (PTO end)</b> 7,8,9,10,11,12,13,14,15,16,20,21, 24,25,26,29,32,34,37,39,40,41,42, 44,45,46,47,48,49,50,52,53,54,56, 58,59,61,62,64,65,66,67,71,73,77, 79,84,86,300	52 032 08			
3	<b>O-Ring</b> 7,8,9,10,11,12,13,14,15,16,20,21, 24,25,26,29,32,34,37,39,40,41,42, 44,45,46,47,48,49,50,52,53,54,56, 58,59,61,62,64,65,66,67,71,73,77, 79,84,86,300	24 153 08			

<b>Index Number</b>	<b>Description Variation Number</b>	<b>Part Number</b>	<b>Index Number</b>	<b>Description Variation Number</b>	<b>Part Number</b>
8	<b>Oil pump assembly</b> (Reference No. 24 327 02 stamped on housing) (Includes 9,10) 7,8,9,10,11,12,13,14,15,16,20,21, 24,25,26,29,32,34,37,39,40,41,42, 44,45,46,47,48,49,50,52,53,54,56, 58,59,61,62,64,65,66,67,71,73,77, 79,84,86,300	<b>24 393 03<sup>1</sup></b>	13	<b>Tube, dipstick (bent tube)</b> (Use before Serial No. 2400400017) 53	<b>24 123 08<sup>2</sup></b>
8	<b>Oil pump assembly</b> (Reference No. 24 327 03 stamped on housing) (Includes 9,10) 7,8,9,10,11,12,13,14,15,16,20,21, 24,25,26,29,32,34,37,39,40,41,42, 44,45,46,47,48,49,50,52,53,54,56, 58,59,61,62,64,65,66,67,71,73,77, 79,84,86,300	<b>24 393 10<sup>1</sup></b>	14	<b>Tube, oil fill (straight tube)</b> (Use after Serial No. 2400400007) 53	<b>24 123 11</b>
9	<b>O-Ring</b> 7,8,9,10,11,12,13,14,15,16,20,21, 24,25,26,29,32,34,37,39,40,41,42, 44,45,46,47,48,49,50,52,53,54,56, 58,59,61,62,64,65,66,67,71,73,79, 84,86,300	<b>24 153 01</b>	14	<b>Tube, oil fill (straight tube)</b> 79	<b>24 123 11</b>
9	<b>O-Ring (2)</b> 77	<b>24 153 01</b>	15	<b>Dipstick</b> 7,8,9,10,11,12,13,14,15,16,20,21, 24,25,26,29,32,34,37,39,40,44,45, 46,47,48,49,50,52,56,58,59,61,62, 64,65,66,67,71,84,86,300	<b>24 038 06<sup>2</sup></b>
10	<b>Pick-up, oil</b> (Use with pump assembly 24 393 03) 7,8,9,10,11,12,13,14,15,16,20,21, 24,25,26,29,32,34,37,39,40,41,42, 44,45,46,47,48,49,50,52,53,54,56, 58,59,61,62,64,65,66,67,71,73,77, 79,84,86,300	<b>24 381 03<sup>1</sup></b>	15	<b>Dipstick</b> (Use before Serial No. 2400400017) 53	<b>24 038 06<sup>2</sup></b>
10	<b>Pick-up, oil</b> (Use with pump assembly 24 393 10) 7,8,9,10,11,12,13,14,15,16,20,21, 24,25,26,29,32,34,37,39,40,41,42, 44,45,46,47,48,49,50,52,53,54,56, 58,59,61,62,64,65,66,67,71,73,77, 79,84,86,300	<b>24 381 04<sup>1</sup></b>	16	<b>Dipstick</b> (Use after Serial No. 2400400007) 53	<b>12 038 03</b>
11	<b>Washer, plain 6 mm (2)</b> 7,8,9,10,11,12,13,14,15,16,20,21, 24,25,26,29,32,34,37,39,40,41,42, 44,45,46,47,48,49,50,52,53,54,56, 58,59,61,62,64,65,66,67,71,73,77, 79,84,86,300	<b>M-0631005</b>	16	<b>Dipstick</b> 79	<b>12 038 03</b>
12	<b>Screw, hex. flange M6x1.0x25 (2)</b> 7,8,9,10,11,12,13,14,15,16,20,21, 24,25,26,29,32,34,37,39,40,41,42, 44,45,46,47,48,49,50,52,53,54,56, 58,59,61,62,64,65,66,67,71,73,77, 79,84,86,300	<b>M-0645025</b>	17	<b>O-Ring</b> (Use after Serial No. 2400400007) 53	<b>41 153 01</b>
13	<b>Tube, dipstick (bent tube)</b> 7,8,9,10,11,12,13,14,15,16,20,21, 24,25,26,29,32,34,37,39,40,44,45, 46,47,48,49,50,52,56,58,59,61,62, 64,65,66,67,71,84,86,300	<b>24 123 08<sup>2</sup></b>	17	<b>O-Ring</b> 79	<b>41 153 01</b>
			18	<b>Seal</b> (Use after Serial No. 2400400007) 53	<b>52 032 14</b>
			18	<b>Seal</b> 79	<b>52 032 14</b>
			19	<b>Washer, plain 5/16"</b> (Use after Serial No. 2400400007) 53	<b>X-25-44</b>
			19	<b>Washer, plain 5/16"</b> 79	<b>X-25-44</b>
			20	<b>Nipple, oil filter</b> 7,8,9,10,11,12,13,14,15,16,20,24, 25,26,29,32,34,37,40,41,47,48,52, 53,56,61,64,65,73,77,86,300	<b>24 136 01</b>
			21	<b>Filter, oil</b> 7,8,9,10,11,12,13,14,15,16,20,21, 24,25,26,29,32,34,37,39,40,41,42, 44,45,46,47,48,49,50,52,53,54,56, 58,59,61,62,64,65,66,67,71,73,77, 79,84,86,300	<b>12 050 01</b>

<sup>1</sup>NOTE: When replacing oil pump assembly and oil pick-up, first check reference number stamped on oil pump housing and order parts accordingly.

<sup>2</sup>NOTE: When replacing a straight dipstick tube with a bent tube for the first time, also order the new corresponding dipstick.

Index Number	Description Variation Number	Part Number	Index Number	Description Variation Number	Part Number
22	Screw, hex. flange M8x1.25x46 (10) 7,8,9,10,11,12,13,14,15,16,20,21, 24,25,26,29,32,34,37,39,40,41,42, 44,45,46,47,48,49,50,52,53,54,56, 58,59,61,62,64,65,66,67,71,73,77, 79,84,86,300	24 086 16	24	Switch, oil pressure 25	52 099 05
23	Connector, hose 90° 1/4" 7,8,9,10,11,13,15,16,20,21,24,25, 29,32,34,37,39,40,41,42,44,45,46, 47,49,50,52,53,54,56,58,59,61,62, 64,66,67,73,79,86,300	25 155 02	24	Switch, oil pressure 65	52 099 07
24	Switch, oil pressure 8,9,12,13,14,15,16,20,21,26,32,34, 37,39,40,41,42,44,45,46,47,48,49, 50,52,53,54,56,59,62,64,66,67,71, 73,77,79,84,86,300	52 099 06	25	Kit, pump adapter (Includes 26-28) 11,16,48,49,52	24 755 09
24	Switch, oil pressure 10	25 099 23	25	Kit, pump adapter (Includes 26-28) 20,50,56,59	24 755 10
			26	Pin, alignment 11,16,20,48,49,50,52,56,59	52 380 06
			27	Washer, lock 7/16" (4) 11,16,20,48,49,50,52,56,59	X-23-1
			28	Screw, hex. cap 7/16-14x1-1/2" (4) 11,16,20,48,49,50,52,56,59	X-8-21



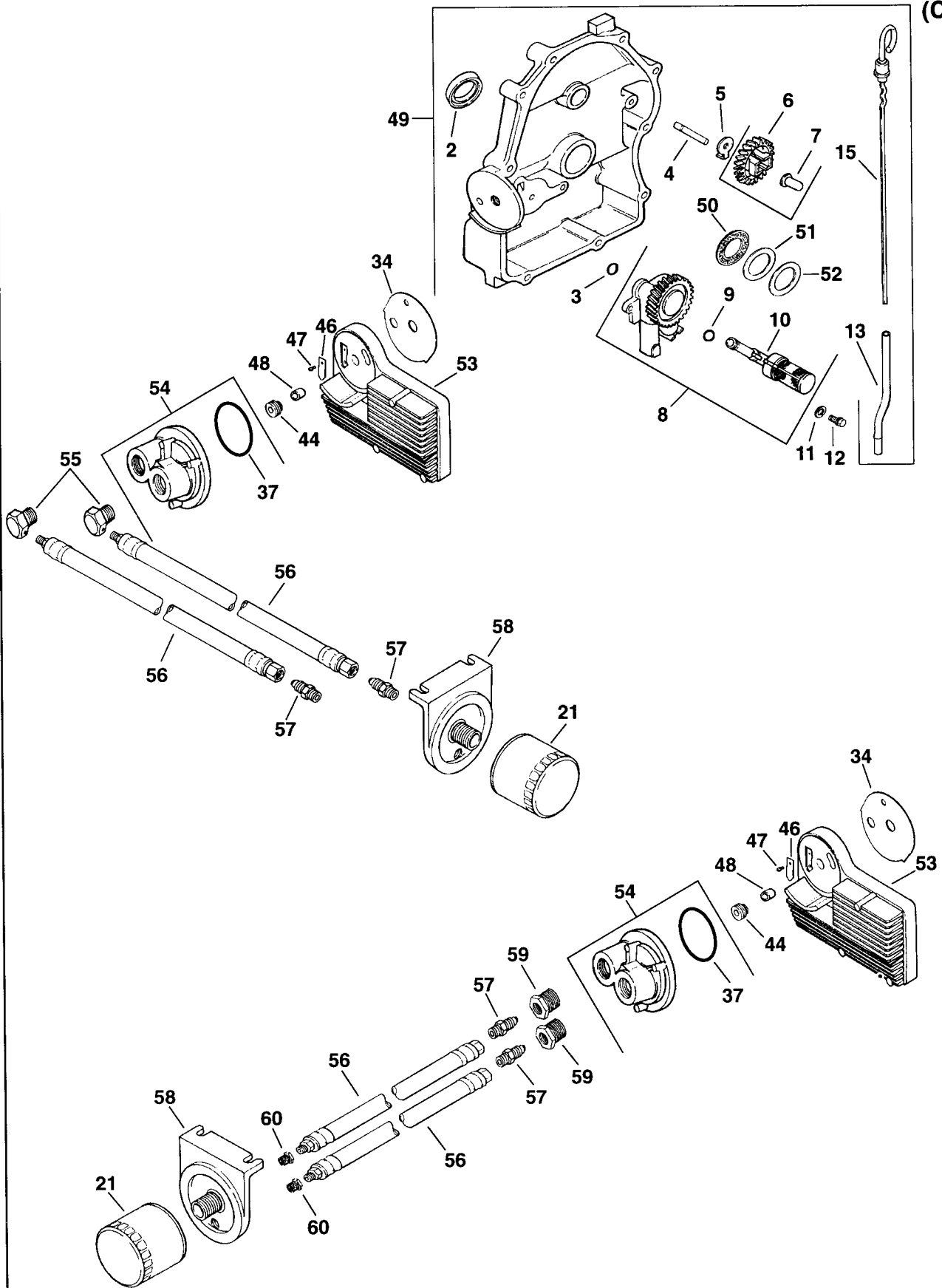
**Oil Pan/Lubrication  
(Cont.)**

**CH18-25**

<b>Index Number</b>	<b>Description Variation Number</b>	<b>Part Number</b>	<b>Index Number</b>	<b>Description Variation Number</b>	<b>Part Number</b>
29	<b>Plate assembly, closure</b> (Includes 2-10,30,31) 41	24 009 93	39	<b>Screw, hex. cap – tapping 18 mm (2)</b> 77	24 086 12
29	<b>Plate assembly, closure</b> (Includes 2,3,8-10,30,31) 53,79	24 009 91 <sup>3</sup>	40	<b>Cooler assembly, oil</b> (Includes 41-43) 77	24 594 10
29	<b>Plate assembly, closure</b> (Includes 2,3,8-10,30,31) 77	24 009 92	41	<b>Hose, oil – 140 mm</b> 77	24 326 17
30	<b>Tube, dipstick (bent tube)</b> 41,73,77	24 123 09 <sup>2</sup>	42	<b>Hose, oil – 97 mm</b> 77	24 326 16
31	<b>Dipstick</b> 41,73,77	24 038 03 <sup>2</sup>	43	<b>Clamp, hose (4)</b> 77	24 237 03
32	<b>Plug, allen hd. 1/8"</b> 12,14,26,48,65,71,77,84	X-75-23	44	<b>Nipple, oil filter</b> 21,39,42,44,45,46,49,50,54,58, 59,62,66,67,71,77,79,84	24 136 02
33	<b>Kit, rotatable oil filter base</b> (Includes 34-36) 37,41,86	24 702 01	45	<b>Cooler, oil</b> 79	24 594 11
34	<b>Gasket, oil filter adapter</b> 21,37,39,41,42,44,45,46,49,50,54, 58,59,62,67,71,77,79,84,86	24 041 12	46	<b>Reed, oil relief</b> 21,39,42,44,45,46,49,50,54,58, 59,62,66,67,71,79,84	24 402 02
35	<b>Adapter, oil filter</b> 37,41,49,50,54,58,67,71,77,86	24 029 01	47	<b>Screw, hex. cap M4x0.7x10</b> 21,39,42,44,45,46,49,50,54,58, 59,62,66,67,71,79,84	M-0448010
36	<b>Bolt, oil filter adapter</b> 37,41,49,50,54,58,67,71,77,86	24 211 01	48	<b>Pin, dowel</b> 39,42,44,45,46,49,50,54,58,59, 62,66,67,71,79,84	12 380 03
37	<b>O-Ring</b> 44,77,84,300	24 153 13	<b>NOTE: For variation 53, after installation of closure plate assembly 24 009 91, for dipstick and tube replacement order and install 12 038 03 and 24 123 11 respectively.</b>		
38	<b>Nut (2)</b> 77	24 100 01			



Oil Pan/Lubrication  
(Cont.)

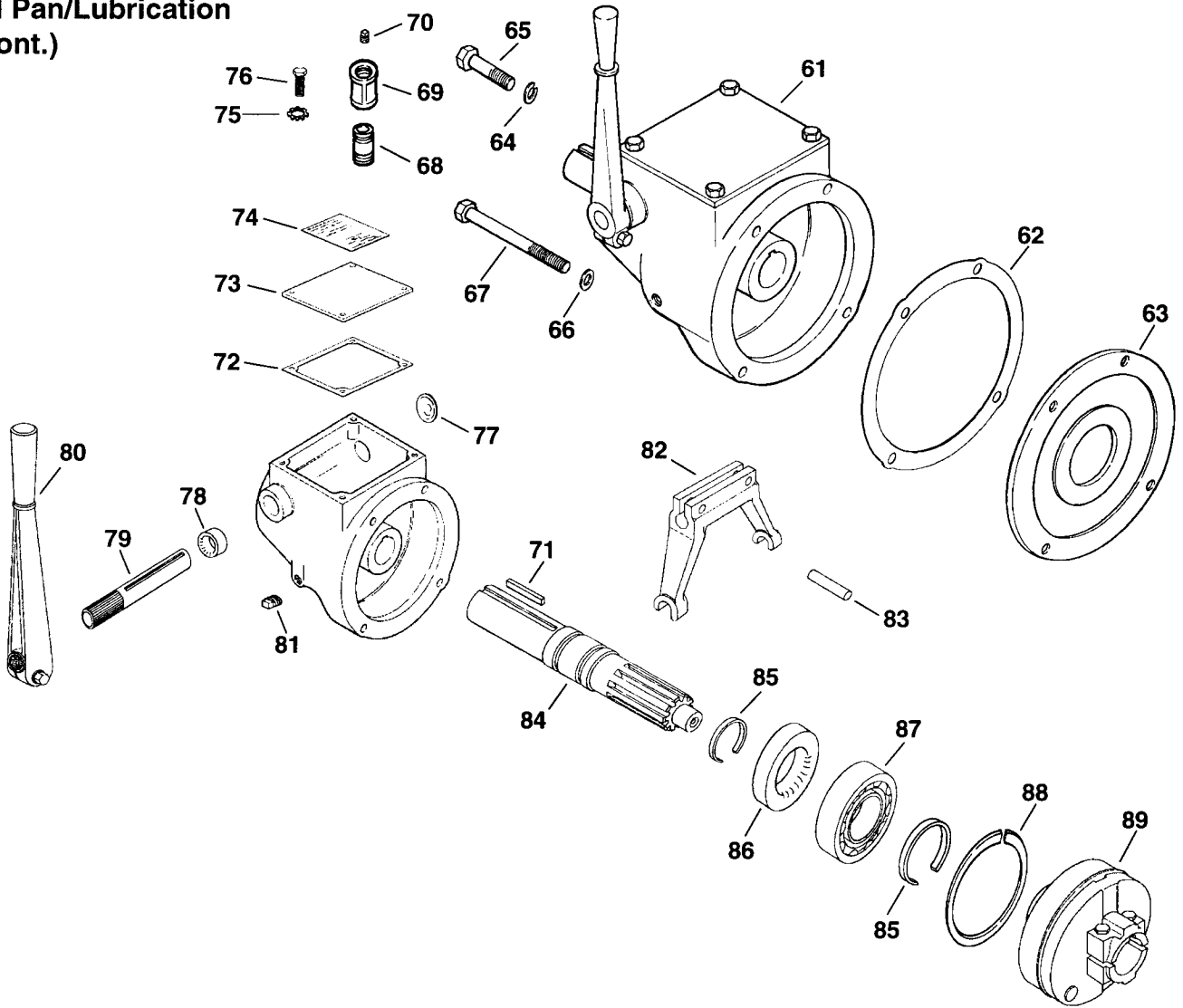


**Oil Pan/Lubrication  
(Cont.)**

**CH18-25**

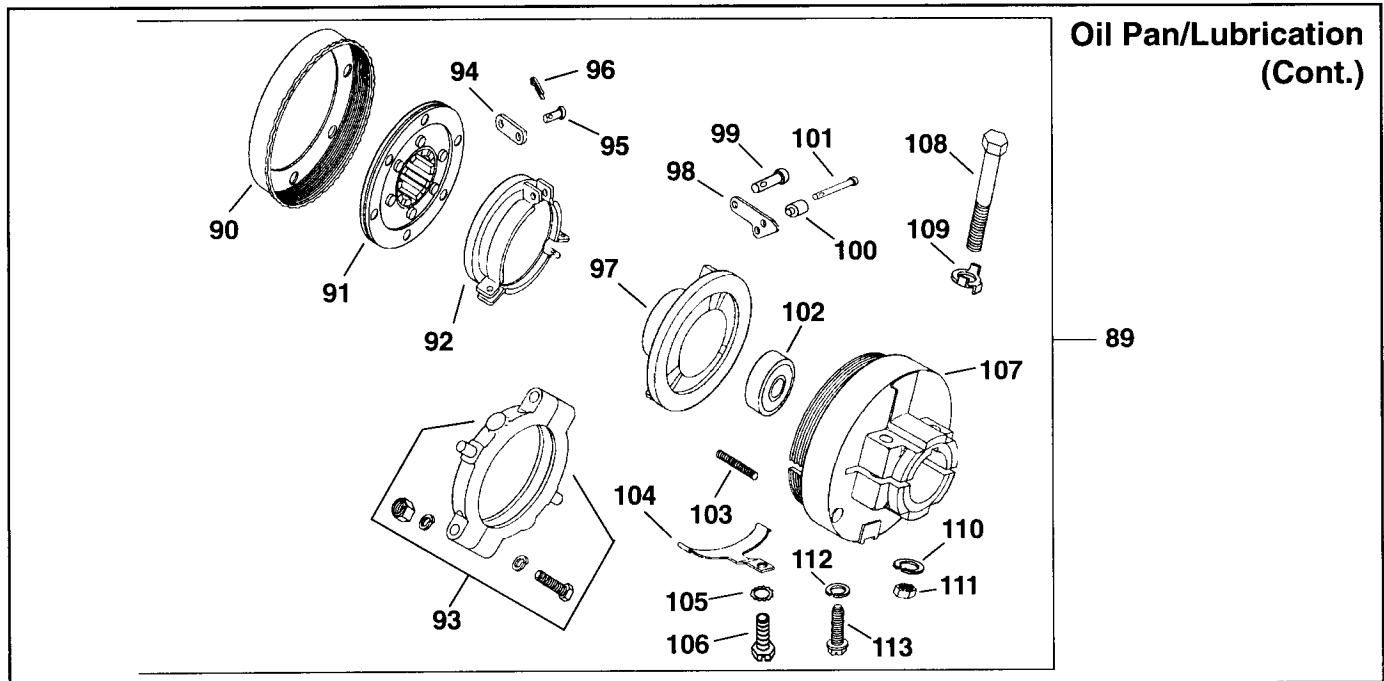
Index Number	Description Variation Number	Part Number	Index Number	Description Variation Number	Part Number
49	<b>Kit, closure plate</b> (Includes 2-10,13,15,50-52) 21,39,84	24 755 39	55	<b>Fitting, reducer (2)</b> 44	24 294 04
49	<b>Kit, closure plate</b> (Includes 2-10,13,15,50-52) 44,47	24 755 40	56	<b>Hose, oil (red tracer) (2)</b> (1/8-27 N.P.T.F. male coupling, 1/4-18 N.P.S.M. female coupling x 23" long) 44,84	52 326 11
50	<b>Bearing, thrust</b> 21,39,44,47,84	24 030 08	57	<b>Nipple, hex. (2)</b> (1/4-18 N.P.T.F. x 1" long) 44,84	52 136 02
51	<b>Washer, thrust</b> 21,39,44,47,84	24 468 04	58	<b>Adapter, remote filter</b> 44,84,300	25 029 01
52	<b>Shim, thrust (green) (0.8366-0.9127)</b> 21,39,44,47,84	24 422 03	59	<b>Bushing, reducing (2)</b> (steel - 7/8x1/4x1/2 N.P.T.F.) 84	25 158 10
52	<b>Shim, thrust (blue) (0.48-0.52)</b> 21,39,44,47,84	24 422 04	60	<b>Bushing, reducing (2)</b> (black - 1/8x1/4 N.P.T.F.) 84	A-106
53	<b>Cooler, oil</b> 21,39,42,44,45,46,49,50,54,58, 59,62,66,67,71,84	24 594 06			
54	<b>Adapter, oil filter</b> (Includes 37) 44,84,300	24 029 02			

**Oil Pan/Lubrication  
(Cont.)**



CH18-25

Index Number	Description Variation Number	Part Number	Index Number	Description Variation Number	Part Number
61	Clutch (Includes 72-113) 61	24 239 02	71	Key, square 61	24 340 01
62	Gasket, clutch 61	24 041 25	72	Gasket, clutch cover	24 041 28
63	Plate, adapter 61	24 146 10	73	Cover, clutch	24 096 37
64	Washer, lock 1/2" (4) 61	X-23-1	74	Plate, instruction	24 146 14
65	Screw, hex. cap 7/16-14x2-3/4" (2) 61	24 086 28	75	Washer, lock 1/4" (4)	X-22-19
66	Washer, plain 1/2" (4) 61	X-25-34	76	Screw, hex. cap (4)	X-5-1
67	Screw, hex. cap 7/16-14x6-1/2" (2) 61	24 086 29	77	Plug, welch	X-230-20
68	Nipple, pipe 61	47 136 02	78	Seal, oil	X-271-19
69	Coupling, pipe 61	X-216-25	79	Shaft, yoke	24 144 01
70	Plug, vent 61	270219	80	Lever, shifting	A-234026
			81	Plug, pipe sq. hd. 1/4 N.P.T.F. (2)	X-75-2
			82	Yoke, clutch	A-234027
			83	Pin, roll (2)	274101
			84	Shaft, drive	234039
			85	Ring, retaining (2)	234037
			86	Seal, oil	234038
			87	Bearing, ball	234035
			88	Ring, snap	48 141 02
			89	Clutch assembly (Includes 90-113)	24 239 03



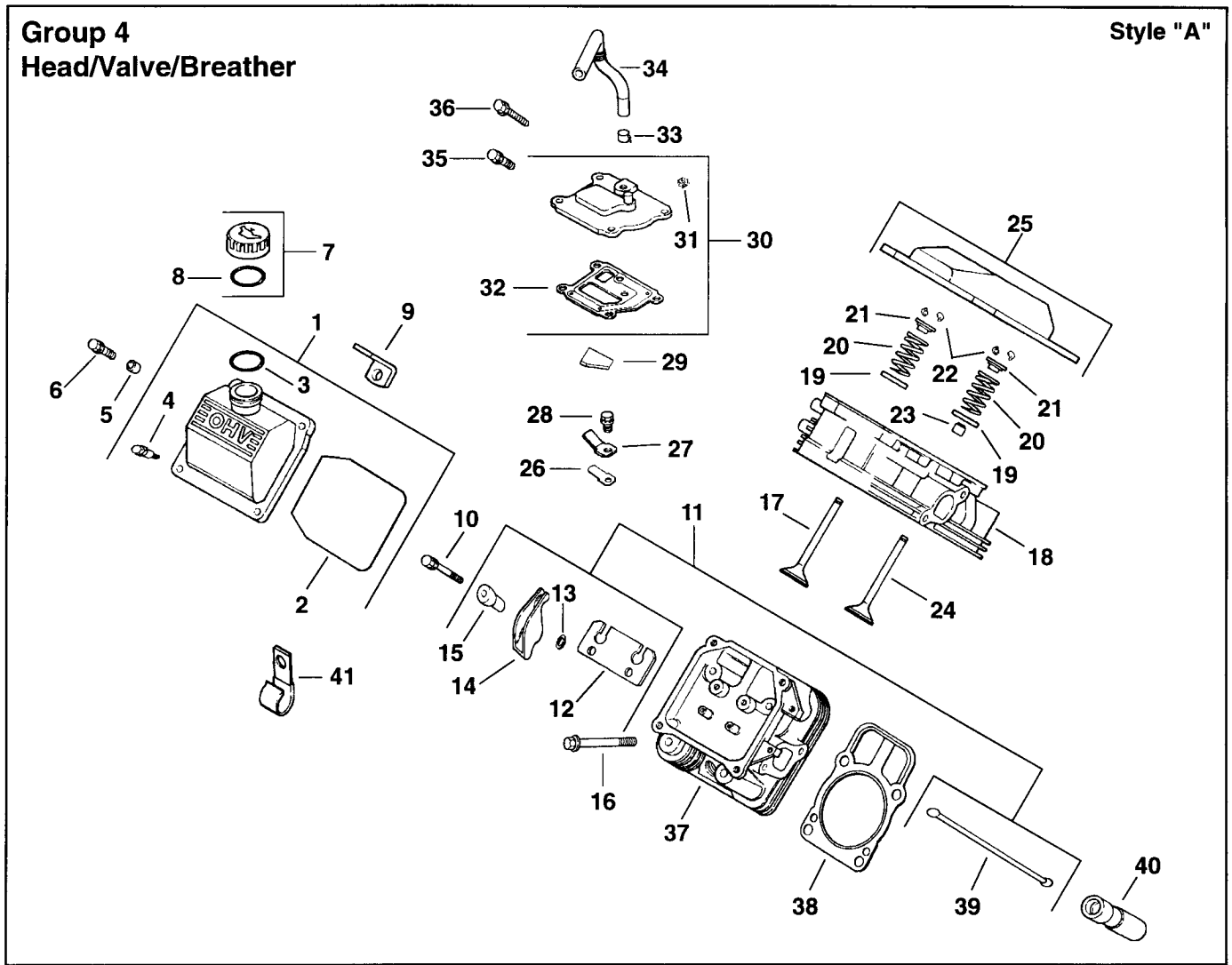
Oil Pan/Lubrication  
(Cont.)

Index Number	Description Variation Number	Part Number	Index Number	Description Variation Number	Part Number
90	Ring, adjusting	234056	102	Bearing, ball	234042
91	Member, drive	A-234044	103	Spring, return (3)	234055
92	Sleeve, release	234054	104	Lock, adjusting	234043
93	Bearing assembly, release	A-234053	105	Washer, lock 1/4"	X-22-11
94	Link, connecting (6)	234050	106	Screw, fillister hd. 1/4-20x3/8"	X-52-22
95	Pin, link (short) (3)	234052	107	Housing, clutch assembly	24 081 08
96	Pin, cotter 1/16x3/8" (9)	X-36-4	108	Screw, hex. cap 3/8-16x1-1/4"	X-7-2
97	Plate, pressure	A-234045	109	Lock, screw (2)	234057
98	Lever, pressure plate (6)	234046	110	Washer, lock 3/8" (3)	X-22-1
99	Pin, link (long) (3)	234051	111	Nut, hex. 3/8-24 (2)	X-83-4
100	Roller, pressure plate (3)	234048	112	Washer, lock 5/16"	X-21-1
101	Pin, lever (3)	234047	113	Screw, dog point	234073

# CH18-25

## Group 4 Head/Valve/Breather

Style "A"



Index Number	Description Variation Number	Part Number	Index Number	Description Variation Number	Part Number
<p>The design of the cylinder head assembly has gone through a series of changes. Refer to Style "A" and "B" and order parts accordingly.</p>					
1	Kit, valve cover – oil fill (Includes 2-5) 1,2,3,4,6,9,10,16,17,26,30,34,400, 402,403,404,406,407	24 755 75	5	Spacer (4) 34	24 112 08
1	Kit, valve cover – oil fill (Includes 2-5) (Use before Serial No. 2400400017) 405	24 755 75	6	Screw, hex. flange M6x1.0x30 (8) 34	M-0651030
2	O-Ring (2) 1,2,3,4,6,8,9,10,16,17,26,30,34,35, 400,402,403,404,405,406,407	24 153 12	7	Kit, oil fill cap (Includes 8) 1,2,4,6,9,10,17,26,30,35,400,403, 406,407	25 755 13
3	O-Ring 1,2,3,4,6,9,10,16,17,26,30,34,400, 402,403,404,405,406,407	24 153 09	7	Kit, oil fill cap (Includes 8) 3,16,34,402,404	24 755 46
4	Screw, hex. cap – shoulder M6x1.0x23 (8) 1,2,3,4,6,8,9,10,16,17,26,30,34,35, 400,402,403,404,405,406,407	24 086 32	7	Kit, oil fill cap (Includes 8) (Use before Serial No. 2400400017) 405	25 755 13
			8	O-Ring 1,2,3,4,6,8,9,10,16,17,26,30,34,35, 400,402,403,404,405,406,407	12 153 03
			9	Strap, lifting 1,2,4,6,8,9,10,17,35,400,402,403, 405,406,407	24 445 01

Index Number	Description Variation Number	Part Number	Index Number	Description Variation Number	Part Number
9	<b>Strap, lifting (2)</b> 16,26,30,404	24 445 01	24	<b>Valve, intake (Std.) (2)</b> 1,2,3,4,6,8,9,10,16,17,26,30,34,35, 400,402,403,404,405,406,407	24 017 01
9	<b>Strap, lifting (2)</b> 34	12 445 05	24	<b>Valve, intake (.25 O.S.) (2)</b> 1,2,3,4,6,8,9,10,16,17,26,30,34,35, 400,402,403,404,405,406,407	24 017 02
10	<b>Screw, hex. flange M6x1.0x34 (4)</b> 1,2,3,4,6,8,9,10,16,17,26,30,34,35, 400,402,403,404,405,406,407	M-0640034	25	<b>Kit, valve cover – plain</b> (Includes 2,4,5) 1,2,3,4,6,9,10,16,17,26,30,400, 402,403,404,406,407	24 755 74
11	<b>Kit, valve train</b> (Includes 12-15,39) (For individual component reference only, before Serial No. 2520800017) (Replaced by 24 755 66) 1,2,3,4,6,8,9,10,16,17,26,30,34,35, 400,402,403,404,405,406,407	24 755 61	25	<b>Kit, valve cover – plain (2)</b> (Includes 2,4,5) 8,35	24 755 74
12	<b>Plate, guide</b> (Use before Serial No. 2520800017) (Replaced by 24 755 66) 1,2,3,4,6,8,9,10,16,17,26,30,34,35, 400,402,403,404,405,406,407	24 146 09	25	<b>Kit, valve cover – plain</b> (Includes 2,4,5) (Before Serial No. 2400400017 use qty. 1, after Serial No. 2400400007 use qty. 2) 405	24 755 74
13	<b>Washer, plain 6 mm</b> (Use before Serial No. 2520800017) 1,2,3,4,6,8,9,10,16,17,26,30,34,35, 400,402,403,404,405,406,407	M-0631005	26	<b>Reed, breather</b> 1,2,3,4,6,8,9,10,16,17,26,30,34,35, 400,402,403,404,405,406,407	24 402 03
14	<b>Arm, rocker (4)</b> (Use before Serial No. 2520800017) 1,2,3,4,6,8,9,10,16,17,26,30,34,35, 400,402,403,404,405,406,407	24 186 03	27	<b>Retainer, breather reed</b> 1,2,3,4,6,8,9,10,16,17,26,30,34,35, 400,402,403,404,405,406,407	12 018 01
15	<b>Pivot, rocker arm (4)</b> (Use before Serial No. 2520800017) (Replaced by 24 755 66) 1,2,3,4,6,8,9,10,16,17,26,30,34,35, 400,402,403,404,405,406,407	24 194 02	28	<b>Screw, hex. flange M5x0.8x10</b> 1,2,3,4,6,8,9,10,16,17,26,30,34,35, 400,402,403,404,405,406,407	M-0545010
16	<b>Screw, hex. flange M10x1.5x91 (8)</b> 1,2,3,4,6,8,9,10,16,17,26,30,34, 35,400,402,403,404,405,406,407	12 086 16	29	<b>Filter, breather</b> 1,2,3,4,6,8,9,10,16,17,26,30,34,35, 400,402,403,404,405,406,407	24 050 01
17	<b>Valve, exhaust (Std.) (2)</b> 1,2,3,4,6,8,9,10,16,17,26,30,34, 35,400,402,403,404,405,406,407	24 016 01	30	<b>Kit, breather w/plug</b> (Includes 31,32) 1,2,3,4,6,8,9,10,16,17,26,30,34,35, 400,402,403,404,405,406,407	24 033 01
17	<b>Valve, exhaust (.25 O.S.) (2)</b> 1,2,3,4,6,8,9,10,16,17,26,30,34, 35,400,402,403,404,405,406,407	24 016 02	31	<b>Plug, allen hd. 1/8"</b> 1,2,3,4,6,8,9,10,16,17,26,30,34,35, 400,402,403,404,405,406,407	X-75-23
18	<b>Head assembly, #1 cylinder</b> 1,2,3,4,6,8,16,17,26,30,34,400, 402,403,404,405	24 318 09	32	<b>Gasket, breather</b> 1,2,3,4,6,8,9,10,16,17,26,30,34,35, 400,402,403,404,405,406,407	24 041 23
18	<b>Head assembly, #1 cylinder</b> 9,10,35,406,407	24 318 13	33	<b>Clamp, hose</b> 1,2,3,4,6,8,9,10,16,17,26,30,34,35, 400,402,403,404,405,406,407	X-426-9
19	<b>Retainer, spring (4)</b> 1,2,3,4,6,8,9,10,16,17,26,30,34, 35,400,402,403,404,405,406,407	235011	34	<b>Hose, breather</b> 1,2,3,4,6,8,9,10,16,17,26,30,34,35, 400,402,403,404,405,406,407	24 326 06
20	<b>Spring, valve (4)</b> 1,2,3,4,6,8,9,10,16,17,26,30,34, 35,400,402,403,404,405,406,407	24 089 02	35	<b>Screw, hex. flange M6x1.0x20 (4)</b> 1,2,3,4,6,8,9,10,16,17,26,30,34,35, 400,402,403,404,405,406,407	M-0645020
21	<b>Cap, valve spring (4)</b> 1,2,3,4,6,8,9,10,16,17,26,30,34, 35,400,402,403,404,405,406,407	12 173 01	35	<b>Screw, hex. flange M6x1.0x20</b> 34	M-0645020
22	<b>Kit, retainer (4)</b> 1,2,3,4,6,8,9,10,16,17,26,30,34,35, 400,402,403,404,405,406,407	12 755 03	36	<b>Screw, hex. flange M6x1.0x30 (3)</b> 34	M-0645030
23	<b>Seal, valve stem (2)</b> 1,2,3,4,6,8,9,10,16,17,26,30,34,35, 400,402,403,404,405,406,407	24 032 05	37	<b>Head assembly, #2 cylinder</b> 1,2,3,4,6,8,16,17,26,30,34,400,402, 403,404,405	24 318 10
			37	<b>Head assembly, #2 cylinder</b> 9,10,35,406,407	24 318 14

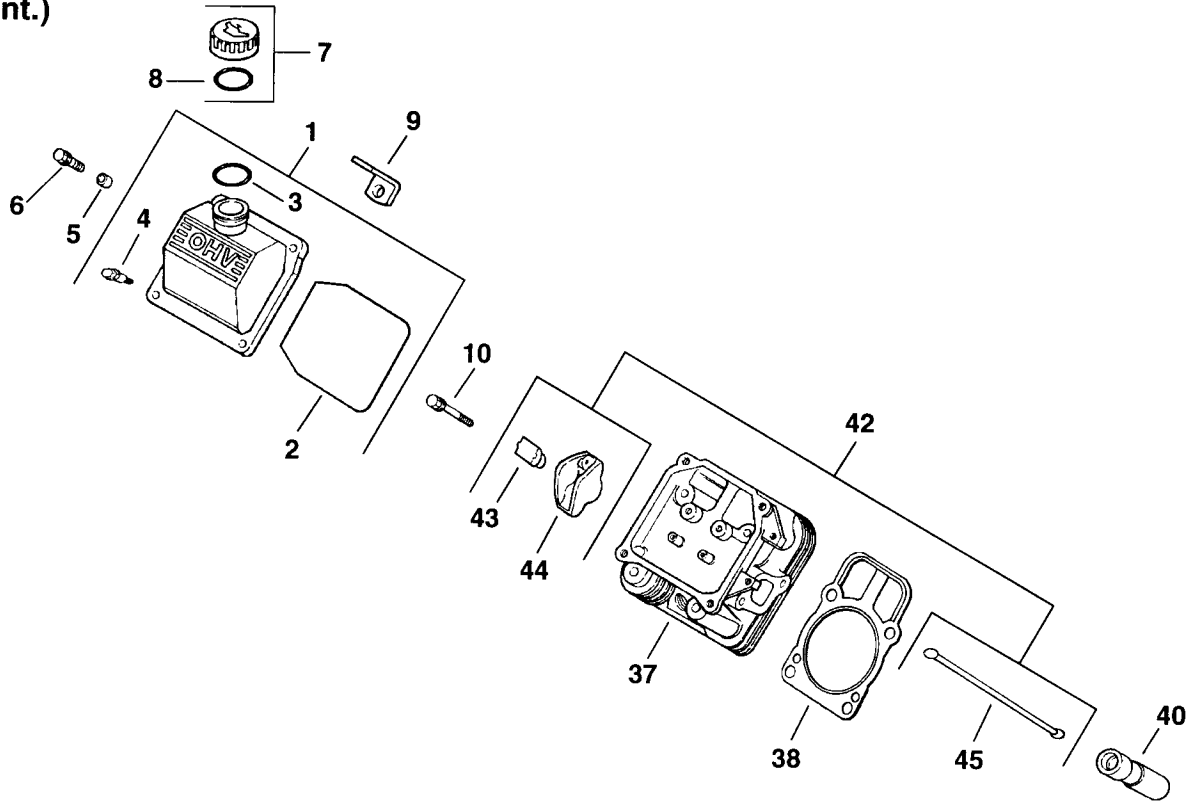
**Head/Valve/Breather  
(Cont.)**

**CH18-25**

Index Number	Description Variation Number	Part Number	Index Number	Description Variation Number	Part Number
38	<b>Gasket, cylinder head (2)</b> 1,2,3,4,6,8,16,17,26,30,34,400,402, 403,404,405	24 041 08	40	<b>Lifter, valve (4)</b> 1,2,3,4,6,8,9,10,16,17,26,30,34,35, 400,402,403,404,405,406,407	12 351 01
38	<b>Gasket, cylinder head (2)</b> 9,10,35,406,407	24 041 16	41	<b>Clip</b> 4,17	47 154 01
39	<b>Rod, push (4)</b> (Use after Serial No. 2424400007) (Replaced by 24 755 66) 1,2,3,4,6,8,9,10,16,17,26,30,34,35, 400,402,403,404,405,406,407	24 411 04			

**Head/Valve/Breather  
(Cont.)**

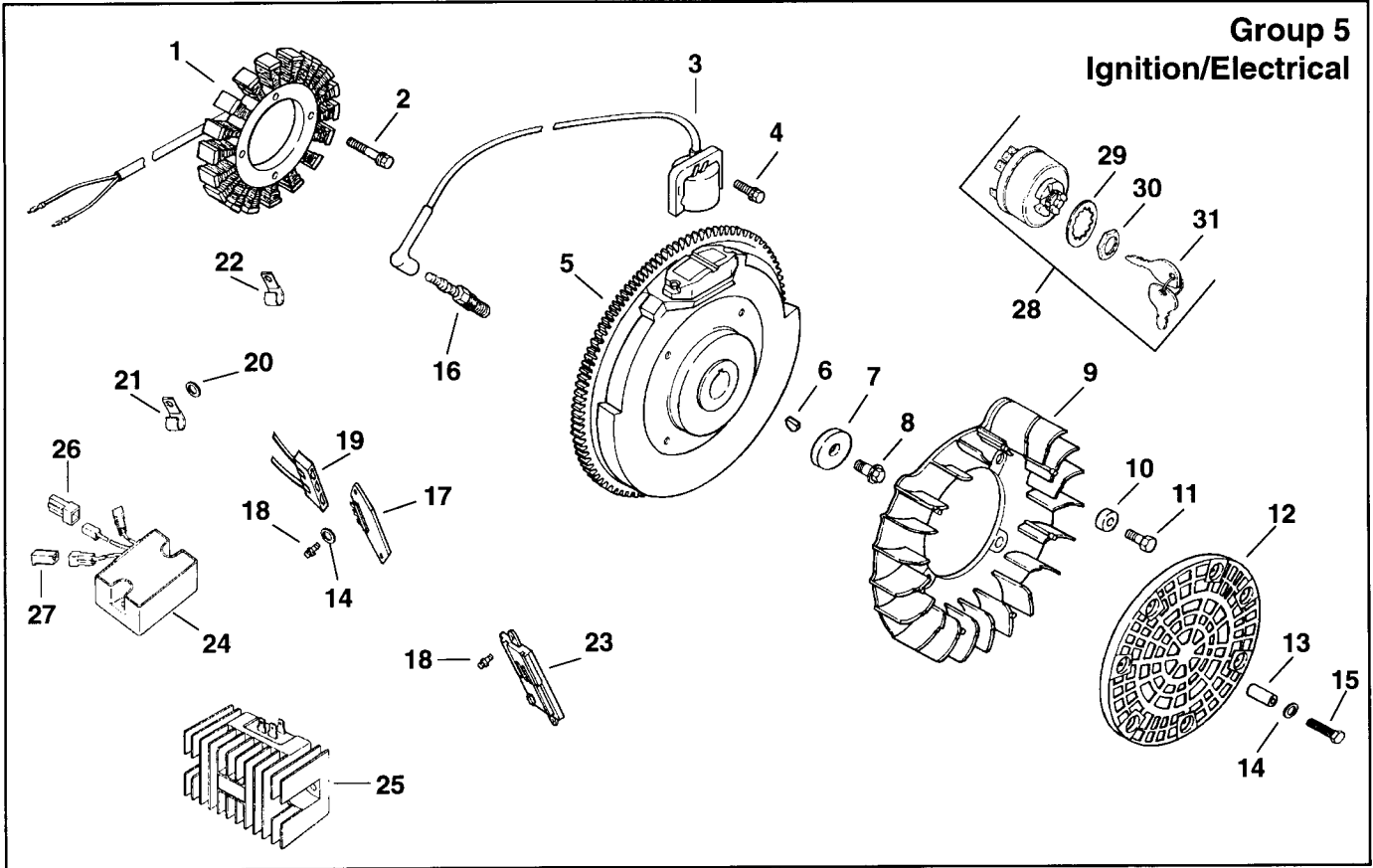
Style "B"



Index Number	Description Variation Number	Part Number	Index Number	Description Variation Number	Part Number
42	<b>Kit, valve train</b> (Includes 43-45) (Use before Serial No. 2520800017, after Serial No. 2520800007 or after installation of kit, individual marked* components can be ordered for replacement.) 1,2,3,4,6,8,9,10,16,17,26,30,34,35, 400,402,403,404,405,406,407	24 755 66	43	<b>Pivot, cylindrical rocker arm</b> 1,2,3,4,6,8,9,10,16,17,26,30,34,35, 400,402,403,404,405,406,407	24 599 01*
			44	<b>Arm, rocker</b> 1,2,3,4,6,8,9,10,16,17,26,30,34,35, 400,402,403,404,405,406,407	25 186 01*
			45	<b>Rod, push</b> 1,2,3,4,6,8,9,10,16,17,26,30,34,35, 400,402,403,404,405,406,407	24 411 05*

# CH18-25

## Group 5 Ignition/Electrical



Index Number	Description Variation Number	Part Number	Index Number	Description Variation Number	Part Number
1	<b>Stator (15 amp)</b> 2,5,6,8,10,13,14,17,18,20,21,22,23, 25,26,28,32,34,38,39,40,41,42,44, 46,47,48,57,61,62,70,78,79,80,84, 88,89,90,92,93,97,98,102,103,105, 106,116,118,121,122,126,130,131, 134,137,139,144,145,146,147,149, 150,154,155,156,158,163,164,165, 166,171,172,174,175,181,182,183, 189,190,400,401,403,404,405,406, 407,408	<b>24 085 01</b>	3	<b>Module, ignition (2)</b> 2,5,6,8,10,13,14,16,17,18,20,21, 22,23,24,25,26,28,29,31,32,37,42, 44,46,47,61,62,70,84,86,92,94,97, 105,109,113,121,122,123,126,128, 130,137,154,165,171,174,181,185, 188,189,400,401,402,403,404,405, 406	<b>24 584 01</b>
1	<b>Stator (25 amp)</b> 16,24,29,31,37,83,86,94,113,123, 128,129,148,178,184,185,187,188, 402,409,410	<b>12 085 02</b>	4	<b>Screw, hex. flange M5x0.8x20 (4)</b> 2,5,6,8,10,13,14,16,17,18,20,21, 22,23,24,25,26,28,29,31,32,37,42, 44,46,47,61,62,70,84,86,92,94,97, 105,109,113,121,122,123,126,128, 130,137,154,165,166,171,174,181, 185,188,189,400,401,402,403,404, 405,406,407,408	<b>SM-0545020</b>
2	<b>Screw, hex. cap M5x0.8x25 (2)</b> 2,5,6,8,10,13,14,16,17,18,20,21,22, 23,24,25,26,28,29,31,32,34,37,38, 39,40,41,42,44,46,47,48,57,61,62, 70,78,79,80,83,84,86,88,89,90,92, 93,94,97,98,102,103,105,106,113, 116,118,121,122,123,126,128,129, 130,131,134,137,139,144,145,146, 147,148,149,150,154,155,156,158, 163,164,165,166,171,172,174,175, 178,181,182,183,184,185,187,188, 189,190,400,401,402,403,404,405, 406,407,408,409,410	<b>M-0548025</b>	5	<b>Flywheel</b> 2,5,6,8,10,13,14,16,17,18,20,21, 22,23,24,25,26,28,29,31,32,37, 42,44,46,47,61,62,70,84,86,92, 94,97,105,109,113,121,122,123, 126,128,130,137,154,165,174, 181,185,188,189,400,401,402, 403,404,405,406	<b>24 025 01</b>
			5	<b>Flywheel</b> 34,38,40,48,57,79,80,83,89,93, 102,106,116,131,134,139,164, 171,172,182,184,187	<b>24 025 02</b>

Index Number	Description Variation Number	Part Number	Index Number	Description Variation Number	Part Number
5	<b>Flywheel</b> 39,41,78,88,90,98,103,104,118, 129,144,145,146,147,148,149, 150,155,156,158,163,166,175, 178,183,190,407,408,409,410	24 025 03	9	<b>Fan</b> 21,39,41,48,78,88,90,98,103,104, 109,118,126,129,130,139,144, 145,146,147,148,149,150,154, 155,156,158,163,164,165,166, 171,174,175,178,183,184,190, 407,408,409,410	24 157 03
6	<b>Key</b> 2,5,6,8,10,13,14,16,17,18,20,21, 22,23,24,25,26,28,29,31,32,37, 38,39,40,41,42,44,46,47,48,57, 61,62,70,78,79,80,83,84,86,88, 89,90,92,93,94,97,98,102,103, 104,105,106,109,113,116,118, 121,122,123,126,128,129,130, 131,134,137,139,144,145,146, 147,148,149,150,154,155,156, 158,163,164,165,166,171,172, 174,175,178,181,182,183,184, 185,187,188,189,190,400,401, 402,403,404,405,406,407,408, 409,410	X-42-15	9	<b>Fan</b> 403 Before Serial No. 2223700017 use: 24 157 01 After Serial No. 2223700007 use: 24 157 03	
7	<b>Washer, plain 3/8"</b> 2,5,6,8,10,13,14,16,17,18,20,21, 22,23,24,25,26,28,29,31,32,37, 38,39,40,41,42,44,46,47,48,57, 61,62,70,78,79,80,83,84,86,88, 89,90,92,93,94,97,98,102,103, 104,105,106,109,113,116,118, 121,122,123,126,128,129,130, 131,134,137,139,144,145,146, 147,148,149,150,154,155,156, 158,163,164,165,166,171,172, 174,175,178,181,182,183,184, 185,187,188,189,190,400,401, 402,403,404,405,406,407,408, 409,410	12 468 03	10	<b>Spacer, fan (4)</b> 2,5,6,8,10,13,14,16,17,18,20,21, 22,23,24,25,26,28,29,31,32,34, 37,38,39,40,41,42,44,46,47,48, 57,61,62,70,78,79,80,83,84,86, 88,89,90,92,93,94,97,98,102, 103,104,105,106,109,113,116, 118,121,122,123,126,128,129, 130,131,134,137,139,144,145, 146,147,148,149,150,154,155, 156,158,163,164,165,166,171, 172,174,175,178,181,182,183, 184,185,187,188,189,190,400, 401,402,403,404,405,406,407, 408,409,410	12 112 01
8	<b>Screw, hex. flange M10x1.5x76</b> 2,5,6,8,10,13,14,16,17,18,20,21, 22,23,24,25,26,28,29,31,32,34, 37,38,39,40,41,42,44,46,47,48, 57,61,62,70,78,79,80,83,84,86, 88,89,90,92,93,94,97,98,102, 103,104,105,106,109,113,116, 118,122,123,126,128,129,130, 131,134,137,139,144,145,146, 147,148,149,150,154,155,156, 158,163,164,165,166,171,172, 174,175,178,181,182,183,184, 185,187,188,189,190,400,401, 402,403,404,405,406,407,408, 409,410	12 086 14	11	<b>Screw, hex. flange M6x1.0x16 (4)</b> 2,5,8,10,13,16,17,18,22,23,24,25, 28,29,32,34,37,38,40,44,46,47,57, 62,70,78,79,80,83,86,89,94,97, 104,109,113,116,118,121,122,123, 126,128,129,130,134,139,147,154, 155,156,158,163,171,178,181,182, 183,184,185,187,188,189,190,400, 401,402,404,409	M-0639016
			11	<b>Screw, hex. flange M6x1.0x16 (4)</b> (Use after Serial No. 2420100007) 144,149,150,407	M-0639016
			11	<b>Screw, hex. flange M6x1.0x16 (4)</b> (Use after Serial No. 2417100007) 145,146,148	M-0639016
			11	<b>Screw, hex. flange M6x1.0x16 (4)</b> (Use after Serial No. 2417500007) 166,408	M-0639016
			11	<b>Screw, hex. flange M6x1.0x16 (4)</b> (Use before Serial No. 2223700017) 403	M-0639016
			11	<b>Screw, hex. flange M6x1.0x16 (4)</b> (Use before Serial No. 2507400017) 410	M-0639016
8	<b>Screw, hex. flange M10x1.5x76</b> 121	24 086 26	12	<b>Screen, grass</b> 5,10,16,17,22,29,32,34,40,44, 46,47,57,70,79,80,86,94,97,113, 116,123,181,182,188,189,400, 401,402	24 162 03
9	<b>Fan</b> 2,5,6,8,10,13,14,16,17,18,20,22, 23,24,25,26,28,29,31,32,34,37, 38,40,42,44,46,47,57,61,62,70, 79,80,83,84,86,89,92,93,94,97, 102,105,106,113,116,121,122, 123,128,131,134,137,172,181, 182,185,187,188,189,400,401, 402,404,405,406,408	24 157 01	12	<b>Screen, grass</b> (Use after Serial No. 2420100007) 144,149,150,407	24 162 17
			12	<b>Screen, grass</b> (Use after Serial No. 2417100007) 145,146,148	24 162 17

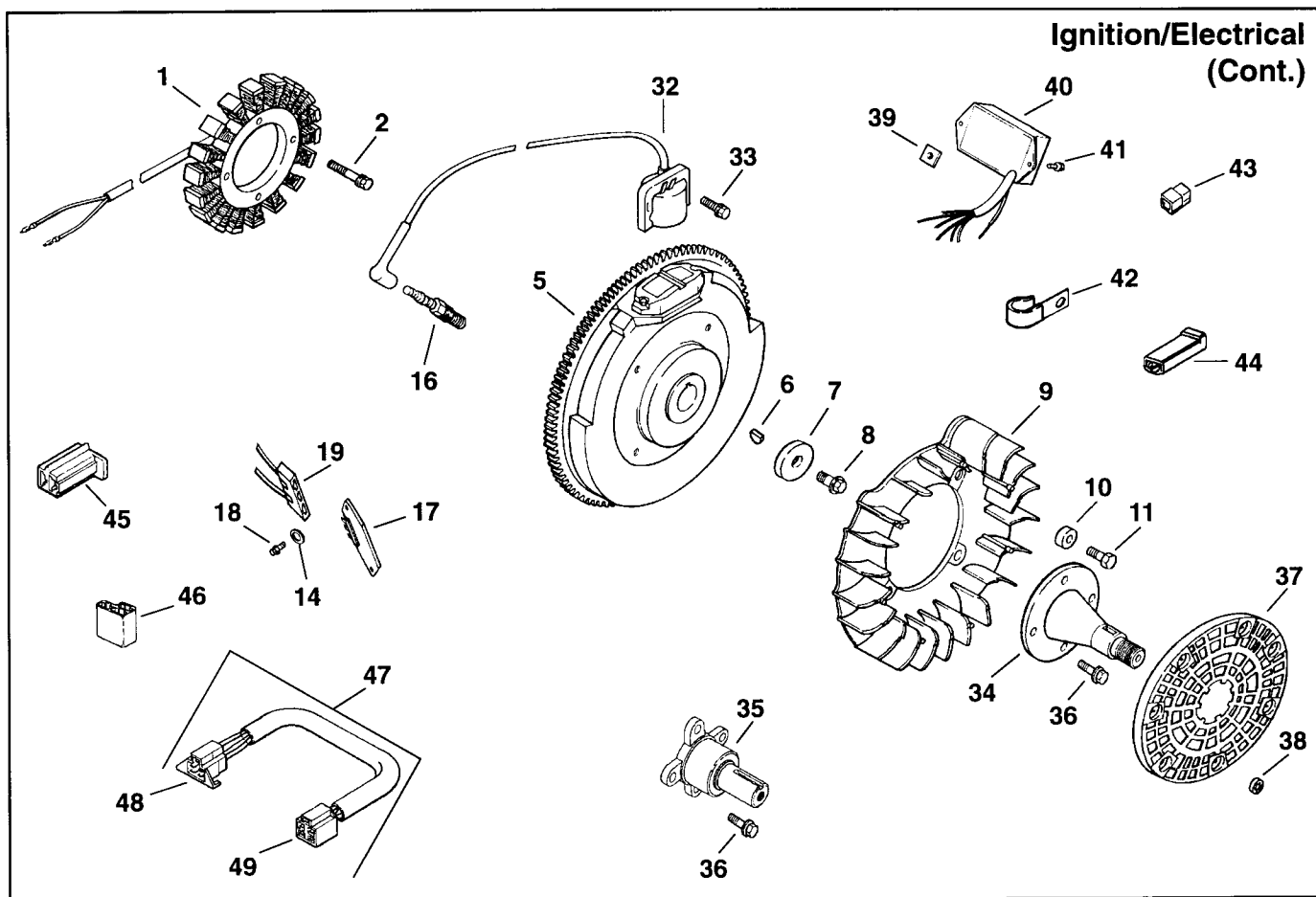


Index Number	Description Variation Number	Part Number	Index Number	Description Variation Number	Part Number
12	<b>Screen, grass</b> 147,156,171,178,183,190	24 162 17	15	<b>Screw, hex. cap M4x0.7x25 (4)</b> 139,147,155,156,158,163,171, 178,183,190	M-0403025
12	<b>Screen, grass</b> (Use after Serial No. 2417500007) 166,408	24 162 17	15	<b>Screw, hex. cap M4x0.7x25 (4)</b> (Use after Serial No. 2420100007) 144,149,150,407	M-0403025
12	<b>Screen, grass</b> (Use before Serial No. 2223700017) 403	24 162 03	15	<b>Screw, hex. cap M4x0.7x25 (4)</b> (Use after Serial No. 2417100017) 145,146,148	M-0403025
12	<b>Screen, grass</b> (Use before Serial No. 2507400017) 410	24 162 17	15	<b>Screw, hex. cap M6x0.7x25 (4)</b> (Use after Serial No. 2417500007) 166,408	M-0403025
13	<b>Spacer (4)</b> 139,147,155,156,158,163,171, 178,183,190	24 112 04	15	<b>Screw, hex. cap M6x0.7x25 (4)</b> (Use before Serial No. 2507400017) 410	M-0403025
13	<b>Spacer (4)</b> (Use after Serial No. 2420100007) 144,149,150,407	24 112 04	16	<b>Spark plug (2)</b> 2,5,6,8,10,13,14,16,17,18,20,21, 22,23,24,25,26,28,29,31,32,34,37, 38,39,40,41,42,44,46,47,48,57,61, 62,70,78,79,80,83,84,86,88,89,90, 92,93,94,97,98,102,103,104,105, 106,109,113,116,118,121,122,123, 126,128,129,130,131,134,137,139, 144,145,146,147,148,149,150,154, 155,156,158,163,164,165,166,172, 174,175,178,181,182,183,184,185, 187,188,189,190,400,401,402,403, 404,405,406,407,408,409,410	12 132 02
13	<b>Spacer (4)</b> (Use after Serial No. 2417100017) 145,146,148	24 112 04	16	<b>Spark plug (2)</b> 171	24 132 01
13	<b>Spacer (4)</b> (Use after Serial No. 2417500007) 166,408	24 112 04	17	<b>Rectifier-regulator (15 amp)</b> 2,5,6,8,10,14,17,18,20,21,22,23, 25,26,28,32,34,38,39,40,41,42,44, 46,47,48,57,61,62,70,78,79,84,88, 89,90,92,93,97,98,102,103,105, 106,113,116,118,121,122,126,130, 134,137,139,144,145,146,147,148, 149,150,154,155,158,163,164,165, 166,171,172,174,175,178,181,182, 183,189,190,400,401,403,404,405, 406,407,408	25 403 03
13	<b>Spacer (4)</b> (Use before Serial No. 2507400017) 410	24 112 04	18	<b>Screw, hex. cap M10x1.5x61 (2)</b> 2,5,6,8,10,13,14,16,17,18,20,21, 22,23,24,25,26,28,29,31,32,34, 37,38,39,40,41,42,44,46,47,48, 57,61,62,70,78,79,80,83,84,86, 88,89,90,92,93,94,97,98,102, 103,104,105,106,109,113,116, 118,121,122,123,126,128,129, 130,131,134,137,139,144,145, 146,147,148,149,150,154,155, 156,158,163,164,165,166,171, 172,174,175,178,181,182,183, 184,185,187,188,189,190,400, 401,402,403,404,405,406,407, 408,409,410	24 086 18
14	<b>Washer, plain 1/2" (2)</b> 2,5,6,8,10,13,14,16,17,18,20,21, 22,23,24,25,26,28,29,31,32,34,37, 38,39,40,41,42,44,46,47,48,57,61, 62,70,78,79,80,83,84,86,88,89,90, 92,93,94,97,98,102,103,104,105, 106,109,113,116,118,121,122,123, 126,128,129,130,131,134,137,154, 163,164,172,174,175,181,182,184, 185,187,188,189,400,401,402,403, 404,405,406,409	X-25-92			
14	<b>Washer, plain 1/2" (6)</b> 139,147,155,156,158,171,178, 183,190	X-25-92			
14	<b>Washer, plain 1/2"</b> (Before Serial No. 2420100017 use qty. 2, after Serial No. 2420100007 use qty. 6) 144,149,150,407	X-25-92			
14	<b>Washer, plain 1/2"</b> (Before Serial No. 2417100017 use qty. 2, after Serial No. 2417100007) use qty. 6) 145,146,148	X-25-92			
14	<b>Washer, plain 1/2"</b> (Before Serial No. 2417500017 use qty. 2, after Serial No. 2417500007 use qty. 6) 166,408	X-25-92			
14	<b>Washer, plain 1/2"</b> (Before Serial No. 2507400017 use qty. 6, after Serial No. 2507400007 use qty. 2) 410	X-25-92			

Index Number	Description Variation Number	Part Number	Index Number	Description Variation Number	Part Number
19	<b>Connector (3 contact)</b> 2,5,6,8,10,14,17,18,20,21,22,23, 25,26,28,32,34,38,39,40,41,42, 44,46,47,48,57,61,62,70,78,79, 80,84,88,89,90,92,93,97,98,102, 103,105,106,116,118,121,122, 126,130,131,134,137,139,145, 146,147,149,150,154,155,156, 158,163,165,166,171,172,174, 175,181,182,183,189,190,400, 401,403,404,405,406,407,408	236602	25	<b>Rectifier-regulator (15 amp)</b> 37	41 403 06
20	<b>Washer, plain 1/4" (2)</b> 2,5,6,8,10,13,14,16,17,18,20,21, 22,23,24,25,26,28,29,31,32,34, 37,38,41,42,44,46,47,48,57,61, 62,70,78,83,84,86,88,89,90,92, 94,97,98,102,103,104,105,106, 109,113,118,121,122,123,126, 128,129,130,131,134,137,139, 144,145,147,148,149,150,154, 155,156,158,163,165,166,172, 174,175,178,181,183,185,187, 188,189,190,400,401,402,403, 404,405,406,407,408,409,410	X-25-63*	26	<b>Connector</b> 16,24,29,31,37,83,86,94,113,128, 148,184,185,187,188,402	25 155 03
20	<b>Washer, plain 1/4" (3)</b> 40,79,80,93,116,164,182,184	X-25-63*	27	<b>Connector</b> 16,24,29,31,37,83,86,94,113, 123,128,129,148,178,187,188, 402,409	25 155 04
20	<b>Washer, plain 1/4"</b> 171	X-25-63*	27	<b>Connector (2)</b> 184,185,410	25 155 04
21	<b>Clip</b> 2,5,6,8,10,13,14,16,17,18,20,21, 22,23,24,25,26,28,29,31,32,37, 42,44,46,47,61,62,70,84,86,92, 94,97,105,109,113,121,122,123, 126,128,130,137,154,165,174, 181,185,188,189,400,401,402, 403,404,405,406	235173	28	<b>Switch, key</b> (Includes 29-31) 5,6,13,16,25,26,29,39,44,46,57, 70,79,80,86,89,90,93,97,118, 121,122,123,128,134,144,146, 147,148,158,163,181,182,183, 188,189,190,400,401,402,405, 407,408,409,410	25 099 04
22	<b>Clip</b> 2,5,6,8,10,13,14,17,18,20,22,23, 24,25,26,28,31,32,34,37,38,40, 42,44,46,47,48,57,61,62,70,79, 80,83,84,86,89,93,94,97,102, 105,106,113,116,121,122,126, 128,130,131,134,137,154,164, 165,172,181,184,185,188,189, 400,401,402,404,406	48 154 02	28	<b>Switch, key</b> (Includes 29-31) (Use before Serial No. 2417100017) 145	25 099 04
22	<b>Clip (2)</b> 92,405	48 154 02	28	<b>Switch, key</b> (Includes 29-31) (Use before Serial No. 2417500017) 166	25 099 04
23	<b>Cover, regulator</b> 13,104,109	25 096 04	29	<b>Washer, I.T.</b> 5,6,13,16,25,26,29,39,44,46,57, 70,79,80,86,89,90,93,97,118, 121,122,123,128,134,144,145, 146,147,148,158,163,166,181, 182,183,188,189,190,400,401, 402,405,407,408,409,410	48 468 02
24	<b>Rectifier-regulator (25 amp)</b> 16,24,31,37,83,86,94,123,128, 129,131,184,185,187,188,402, 409,410	25 403 01	30	<b>Nut, hex. 9/16-24</b> 5,6,13,16,25,26,29,39,44,46,57, 70,79,80,86,89,90,93,97,118, 121,122,123,128,134,144,145, 146,147,148,158,163,166,181, 182,183,188,189,190,400,401, 402,405,407,408,409,410	48 100 01
			31	<b>Key (Set of 2)</b> 5,6,13,16,25,26,29,39,44,46,57, 70,79,80,86,89,90,93,97,118, 121,122,123,128,134,144,145, 146,147,148,158,163,166,181, 182,183,188,189,190,400,401, 402,405,407,408,409,410	48 340 01

\*NOTE: One X-25-63 washer used on screw to ground regulator.

# CH18-25



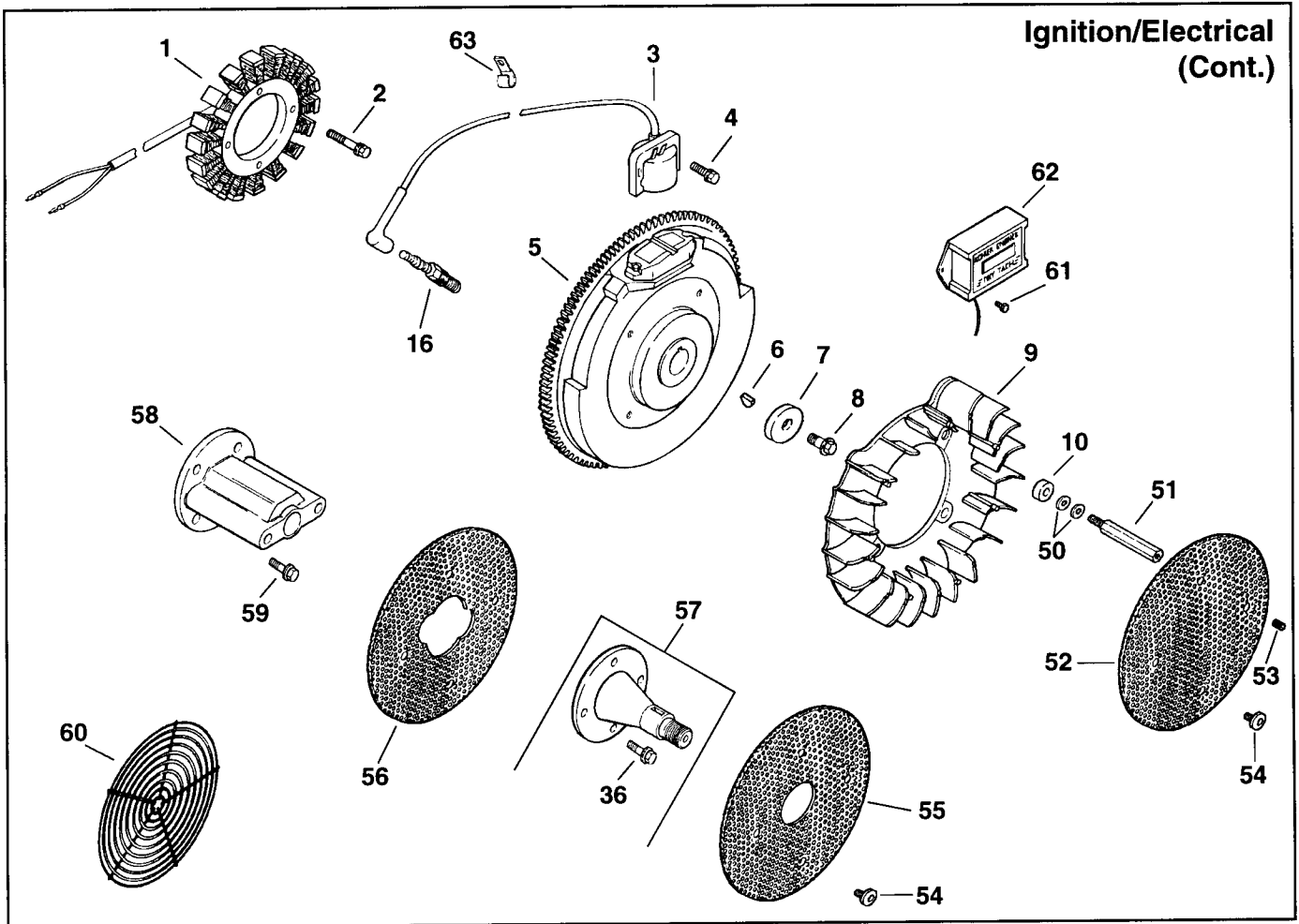
Index Number	Description Variation Number	Part Number	Index Number	Description Variation Number	Part Number
32	<b>Module, ignition (2)</b> 34,38,39,40,41,48,57,78,79,80,83, 88,89,90,93,98,102,103,104,106, 116,118,129,131,134,139,144,145, 146,147,148,149,150,155,156,158, 163,164,166,172,175,178,182,183, 184,187,190,407,408,409,410	<b>24 584 03</b>	35	<b>Shaft, front drive</b> 13,23,155	<b>52 144 19</b>
33	<b>Screw, socket cap M5x0.8x20 (4)</b> 34,38,39,40,41,48,57,79,80,83, 88,89,90,93,98,102,103,104,106, 116,118,129,131,134,139,144, 145,146,147,148,149,150,155, 158,163,164,166,172,175,178, 182,183,184,187,190,407,408, 409,410	<b>M-0560020</b>	36	<b>Screw, hex. flange M8x1.25x25 (4)</b> 6,13,14,23,24,25,28,38,42,62, 88,103,109,139,155,172,174,175, 185	<b>M-0839025</b>
34	<b>Shaft, front drive</b> 24,185	<b>24 144 13</b>	37	<b>Screen, grass</b> 2,121	<b>24 162 02</b>
34	<b>Shaft, front drive</b> 42,88,109	<b>24 144 16</b>	37	<b>Screen, grass</b> 13,23,24,25,28,38,62,83,122,134, 185,404	<b>24 162 16</b>
34	<b>Shaft, front drive</b> 83	<b>24 144 17</b>	37	<b>Screen, grass</b> 139,155,158	<b>24 162 18</b>
34	<b>Shaft, front drive</b> 139	<b>24 144 23</b>	38	<b>Retainer (3)</b> 2,5,8,10,13,16,17,22,23,24,25, 28,29,32,34,38,40,44,46,47,57, 62,70,79,80,83,86,94,97,113, 116,121,122,123,134,181,182, 185,188,189,400,401,402	<b>24 018 03</b>
34	<b>Shaft, front drive</b> 174,175	<b>24 144 22</b>	38	<b>Retainer (3)</b> (Use before Serial No. 2223700017) 403	<b>24 018 03</b>
			38	<b>Retainer (6)</b> 404	<b>24 018 03</b>

Index Number	Description Variation Number	Part Number	Index Number	Description Variation Number	Part Number
39	<b>Nut, plastic (2)</b> 34,38,39,40,41,48,57,79,80,83,88, 89,90,93,98,102,103,104,106,116, 118,129,131,134,139,144,145,146, 147,148,149,150,155,156,158,163, 164,166,172,175,178,182,183,184, 187,190,407,408,409,410	24 100 02	44	<b>Connector (2)</b> 16,39,44,79,80,89,92,93,118,134, 144,145,146,148,150,156,163, 165,182,183,190,405	277563
40	<b>Module, spark advance</b> 34,38,39,40,41,48,57,79,80,83,88, 89,90,93,98,102,103,104,106,116, 118,129,131,134,139,144,145,146, 147,148,149,150,155,156,158,163, 164,166,172,175,178,182,183,184, 187,190,407,408	24 584 05*	44	<b>Connector</b> (Use after Serial No. 2232000007) 29	277563
40	<b>Module, spark advance</b> 129,178,409,410	24 584 07	44	<b>Connector</b> (Use after Serial No. 2307000004) 32,400	277563
41	<b>Screw, pan hd. M4.2x13 (2)</b> 34,38,39,40,41,48,57,79,80,83,88, 89,90,93,98,102,103,104,106,116, 118,129,131,134,139,144,145,146, 147,148,149,150,155,156,158,163, 164,166,172,175,178,182,183,184, 187,190,407,408,409,410	M-0461013	44	<b>Connector</b> (Use after Serial No. 2329200007) 97	277563
42	<b>Clip</b> 34,38,39,40,41,48,57,78,83,88,90, 98,103,104,106,118,129,131,134, 139,144,145,146,147,148,149,150, 155,156,158,163,164,165,166,172, 175,178,182,183,187,190,407,408, 409,410	47 154 01	44	<b>Connector</b> (Use before Serial No. 2423100017) 406	277563
42	<b>Clip (2)</b> 79,80,89,93,116,184	47 154 01	45	<b>Connector</b> 24	41 155 03
43	<b>Connector</b> (Use after Serial No. 2329500004) 32,400	15 155 01	46	<b>Connector</b> 13	237429
43	<b>Connector (2)</b> 39,40,79,80,89,90,93,118,146,147, 150,156,166,183,190,407,408	15 155 01	47	<b>Connector</b> (Includes 48,49) (Use after Serial No. 2232000007) 29	25 155 09
43	<b>Connector</b> 44,46,57,70,92,121,123,134,145, 158,163,165,181,182,405	15 155 01	47	<b>Connector</b> (Includes 48,49) 148	25 155 09
43	<b>Connector</b> (Use before Serial No. 2423100017) 406	15 155 01	48	<b>Connector</b> 10,13,23,29,32,40,62,94,104, 105,106,129,148,166,407,408	25 155 06
			48	<b>Connector</b> (Use after Serial No. 2423100007) 406	25 155 06
			49	<b>Connector</b> 29,148	48 155 01

\*NOTE: When replacing module 24 584 04 (identified by date code 2104 or lower) with 24 584 05 (identified by date code 2274 or higher), also order and install wiring harness 24 176 39. Refer to Parts Bulletin 183 for more information.

# CH18-25

## Ignition/Electrical (Cont.)

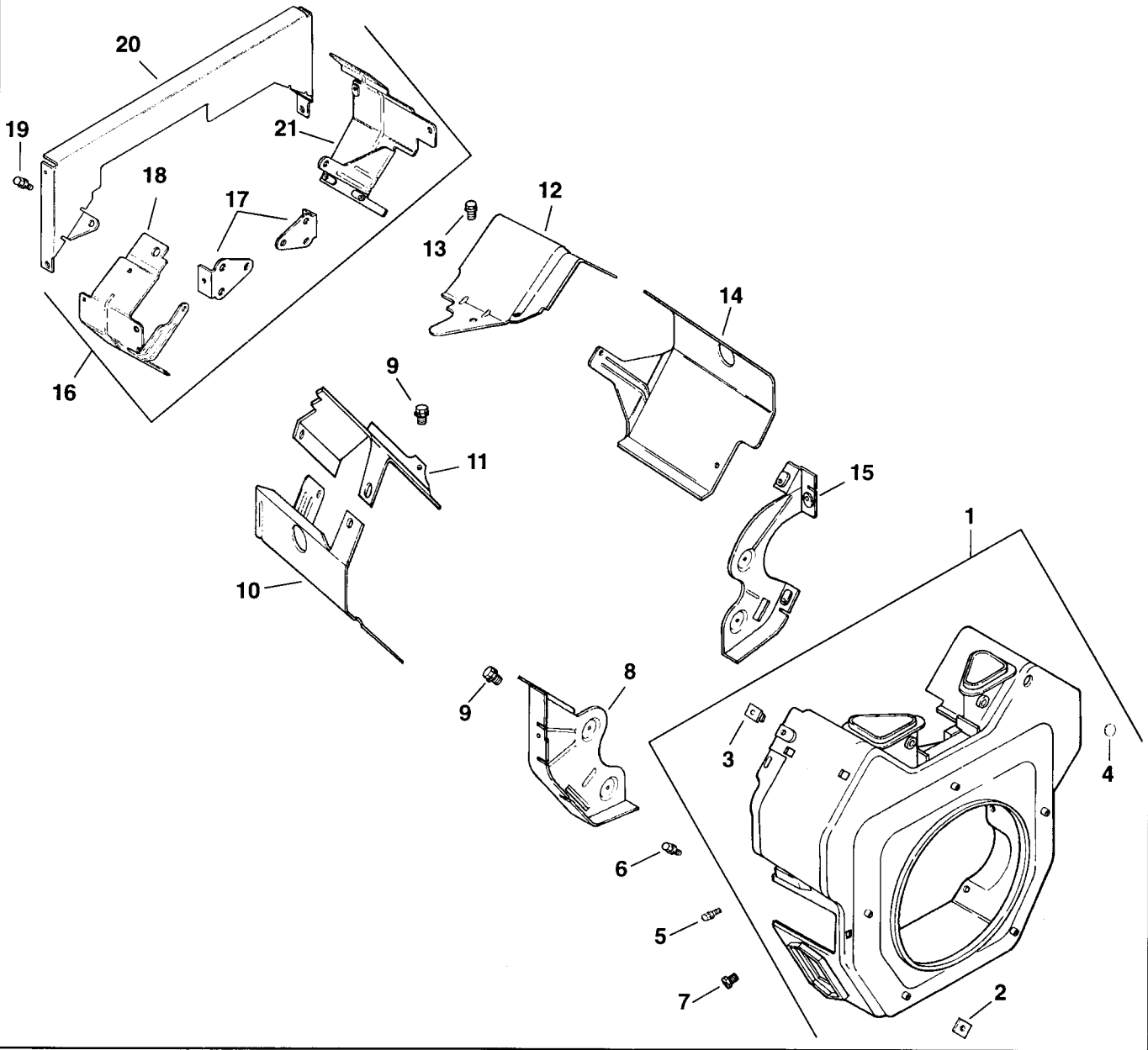


Index Number	Description Variation Number	Part Number	Index Number	Description Variation Number	Part Number
50	Washer, plain 1/4" (8) 6,14,20,21,31,39,41,42,48,61,84, 88,90,92,93,98,102,103,105,106, 131,137,164,165,172,174,175, 405,406	X-25-53	51	Stud, grass screen (4) (Use before Serial No. 2420100017) 144,149,150,407	24 072 01
50	Washer, plain 1/4" (8) (Use before Serial No. 2420100017) 144,149,150,407	X-25-53	51	Stud, grass screen (4) (Use before Serial No. 2417100017) 145,146,148	24 072 01
50	Washer, plain 1/4" (8) (Use before Serial No. 2417100017) 145,146,148	X-25-53	51	Stud, grass screen (4) (Use after Serial No. 2223700007) 403	24 072 01
50	Washer, plain 1/4" (8) (Use before Serial No. 2417500017) 166,408	X-25-53	51	Stud, grass screen (4) (Use after Serial No. 2507400007) 410	24 072 01
50	Washer, plain 1/4" (8) (Use after Serial No. 2223700007) 403	X-25-53	52	Screen, grass 20,21,31,39,41,61,84,90,92,93, 98,105,106,131,164,165,405,406	24 162 13
50	Washer, plain 1/4" (8) (Use after Serial No. 2507400007) 410	X-25-53	52	Screen, grass (Use before Serial No. 2420100017) 144,149,150,407	24 162 13
51	Stud, grass screen (4) 6,14,20,21,31,39,41,42,48,61,84, 88,90,92,93,98,102,103,105,106, 131,137,164,165,172,174,175, 405,406	24 072 01	52	Screen, grass (Use before Serial No. 2417100017) 145,146,148	24 162 13

Index Number	Description Variation Number	Part Number	Index Number	Description Variation Number	Part Number
52	Screen, grass (Use before Serial No. 2417500017) 166,408	24 162 13	57	Kit, front drive shaft (Includes 36) 25,28,38,62,103,172	24 755 08
52	Screen, grass (Use after Serial No. 2223700007) 403	24 162 13	57	Kit, front drive shaft (Includes 36) 137	24 755 07
52	Screen, grass (Use after Serial No. 2507400007) 410	24 162 13	58	Adapter, front drive 6,14	24 029 09
53	Screw, hex. socket hd. set 10-24x1/4" 6,14,20,21,31,39,41,42,48,61,84, 88,90,92,93,98,102,103,105,106, 130,131,137,164,165,172,174, 175,405,406	25 086 43	59	Screw, hex. flange M8x1.25x45 (2) 2,48	M-0839045
53	Screw, hex. socket hd. set 10-24x1/4" (Use before Serial No. 2420100017) 144,150,407	25 086 43	60	Guard, grass screen 37,187	47 314 02
53	Screw, hex. socket hd. set 10-24x1/4" (Use before Serial No. 2417100017) 145,146,148	25 086 43	61	Screw, sems hex. cap 10-16x1/2" (2) 2,137,148	X-67-3
53	Screw, hex. socket hd. set 10-24x1/4" (Use before Serial No. 2417500017) 166,408	25 086 43	62	Tachometer 148	25 449 02
53	Screw, hex. socket hd. set 10-24x1/4" (Use after Serial No. 2323700007) 403	25 086 43	63	Clip 26,29,79,80,89,93,116,147,164, 165,182,183,184,188	24 154 03
53	Screw, hex. socket hd. set 10-24x1/4" (Use after Serial No. 2507400007) 410	25 086 43	<b>Not Illustrated</b>		
54	Screw, truss socket hd. M6x1.0x10 (4) 6,14,20,21,31,39,41,42,61,84,88, 90,92,93,98,102,103,105,106, 131,137,164,165,172,174,175, 405,406	M-0657010	Adapter, front drive (Not supplied by Kohler Co., contact Original Equipment Manufacturer) 2,48		
54	Screw, truss socket hd. M6x1.0x10 (8) 48	M-0657010	Switch, key (Not supplied by Kohler Co., contact Original Equipment Manufacturer) 47		
54	Screw, truss socket hd. M6x1.0x10 (4) (Use before Serial No. 2420100017) 144,149,150,407	M-0657010	Harness, wiring 2,137		
54	Screw, truss socket hd. M6x1.0x10 (4) (Use before Serial No. 2417100017) 145,146,148	M-0657010	Harness, wiring 5,44		
54	Screw, truss socket hd. M6x1.0x10 (4) (Use before Serial No. 2417500017) 166,408	M-0657010	Harness, wiring 6,61		
54	Screw, truss socket hd. M6x1.0x10 (4) (Use after Serial No. 2223700007) 403	M-0657010	Harness, wiring (Replaced by 24 176 40) 8,10,13,14,20,25,28,42,62,105, 109,113,122,126,130,154,401, 404		
54	Screw, truss socket hd. M6x1.0x10 (4) (Use after Serial No. 2507400007) 410	M-0657010	Harness, wiring 16		
55	Screen, grass 42,48,88,103,137,172,174	24 162 15	Harness, wiring 17		
55	Screen, grass 102	24 162 19	Harness, wiring 18		
55	Screen, grass 175	24 162 22	Harness, wiring 21,46,70,92,121,123,165,181,405		
56	Screen, grass 6	24 162 21	Harness, wiring 22,26,97,189		
56	Screen, grass 14	24 162 14	Harness, wiring 23		
			Harness, wiring 24		
			Harness, wiring 29		
			Before Serial No. 2232000017 use: 24 176 09		
			After Serial No. 2232000007 use: 24 176 19		
			Harness, wiring 31,37,94		
			24 176 09		

Index Number	Description Variation Number	Part Number	Index Number	Description Variation Number	Part Number
	<b>Harness, wiring</b> 32,400			<b>Harness, wiring</b> 406	
	Before Serial No. 2307000014 use:	<b>24 176 40</b>		Before Serial No. 2423100017 use:	<b>24 176 21</b>
	After Serial No. 2307000004 use:	<b>24 176 21</b>		After Serial No. 2423100007 use:	<b>24 176 40</b>
	<b>Harness, wiring</b> 34,38,41,88,102,103,104,106, 149,155	<b>24 176 16</b>		<b>Lead, green, rectifier-regulator</b> (4" – 18 gauge – terminals: 2 insulated grip barrel eyelets) 2,5,6,8,10,14,16,17,18,20,21, 22,23,24,25,26,28,29,31,32,34, 37,38,39,40,41,42,44,46,47,48, 57,61,62,70,78,79,80,83,84,86, 88,89,90,92,93,94,97,98,102, 103,105,106,113,116,118,121, 122,123,126,128,129,130,131, 134,137,139,144,145,146,147, 148,149,150,154,155,156,158, 163,164,165,166,171,172,174, 175,178,181,182,183,184,185, 187,188,189,190,400,401,402, 403,404,405,406,407,408,409, 410	<b>24 518 04</b>
	<b>Harness, wiring</b> 39,40,57,79,80,89,90,93,118, 134,144,145,146,147,150,156, 158,166,182,183,190,407,408	<b>24 176 30</b>		<b>Lead, black</b> (6" – 14 gauge – terminals: 1 uninsulated push on tab, 1 insulated grip barrel eyelet) (Use after Serial No. 2329500004) 32,400	<b>24 518 06</b>
	<b>Harness, wiring</b> 44,163	<b>24 176 25</b>		<b>Lead, black</b> (6" – 14 gauge – terminals: 1 uninsulated push on tab, 1 insulated grip barrel eyelet) (Use after Serial No. 2329500004) 32,400	<b>24 518 06</b>
	<b>Harness, wiring</b> 47	<b>24 176 23</b>		<b>Lead, black</b> (6" – 14 gauge – terminals: 1 uninsulated push on tab, 1 insulated grip barrel eyelet) (Use after Serial No. 2329500004) 32,400	<b>24 518 06</b>
	<b>Harness, wiring</b> 48,139	<b>24 176 42</b>		<b>Lead, black</b> (6" – 14 gauge – terminals: 1 uninsulated push on tab, 1 insulated grip barrel eyelet) 39,40,46,70,79,80,89,90,92,93, 118,121,123,146,147,150,156, 165,166,181,182,183,190,405, 407,408	<b>24 518 06</b>
	<b>Harness, wiring</b> 78,164	<b>24 176 27</b>		<b>Lead, black</b> (5" – 14 gauge – terminals: 2 uninsulated push on tabs) 44,163	<b>24 518 05</b>
	<b>Harness, wiring</b> 83	<b>24 176 28</b>		<b>Lead, violet</b> (34" – 12 gauge – terminals: 1 uninsulated push on tab, 1 insulated grip barrel eyelet) 129	<b>24 518 08</b>
	<b>Harness, wiring</b> 84	<b>24 176 33</b>		<b>Lead, black</b> (16" – 14 gauge – terminals: 1 uninsulated push on tab, 1 insulated grip barrel eyelet) 129,409	<b>24 518 09</b>
	<b>Harness, wiring</b> 86	<b>24 176 10</b>		<b>Lead, black</b> (6" – 14 gauge – terminals: 1 uninsulated push on tab, 1 insulated grip barrel eyelet) (Use before Serial No. 2423100017) 406	<b>24 518 06</b>
	<b>Harness, wiring</b> (Use after Serial No. 2329200007) 97	<b>24 176 31</b>			
	<b>Harness, wiring</b> 98,175	<b>24 176 32</b>			
	<b>Harness, wiring</b> 98,116,131,163,172,175,184	<b>24 176 39</b>			
	<b>Harness, wiring</b> 113,185	<b>24 176 35</b>			
	<b>Harness, wiring</b> 116	<b>24 176 34</b>			
	<b>Harness, wiring</b> 128,188,402	<b>24 176 20</b>			
	<b>Harness, wiring</b> 129,178,409,410	<b>24 176 50</b>			
	<b>Harness, wiring</b> 131,172	<b>24 176 38</b>			
	<b>Harness, wiring</b> 148	<b>24 176 37</b>			
	<b>Harness, wiring</b> 163,187	<b>24 176 17</b>			
	<b>Harness, wiring</b> 163	<b>24 176 36</b>			
	<b>Harness, wiring</b> 171	<b>24 176 43</b>			
	<b>Harness, wiring</b> 174	<b>24 176 11</b>			
	<b>Harness, wiring</b> 184	<b>24 176 45</b>			
	<b>Harness, wiring</b> 403				
	Before Serial No. 2223700017 use:	<b>24 176 40</b>			
	After Serial No. 2223700007 use:	<b>24 176 11</b>			

**Group 6  
Blower Housing & Baffles**



Index Number	Description Variation Number	Part Number	Index Number	Description Variation Number	Part Number
1	<b>Housing, blower</b> (Includes 2-4) 1,5,6,8,10,33,38,39,57,67,72,73, 77,80,88,89,91,92,98	24 027 20	1	<b>Housing, blower</b> (Includes 2-4) (Use before Serial No. 2325200017) 300	24 027 20
1	<b>Housing, blower</b> (Includes 2-4) 12,20,34,55,71,74,78,84	24 027 18	1	<b>Housing, blower</b> (Includes 2-4) (Use after Serial No. 2417500007) 301,303	24 027 18
1	<b>Housing, blower</b> (Includes 2-4) 104,105	24 027 40	1	<b>Housing, blower</b> (Includes 2-4) (Use after Serial No. 2420100007) 302,305	24 027 18



**CH18-25**

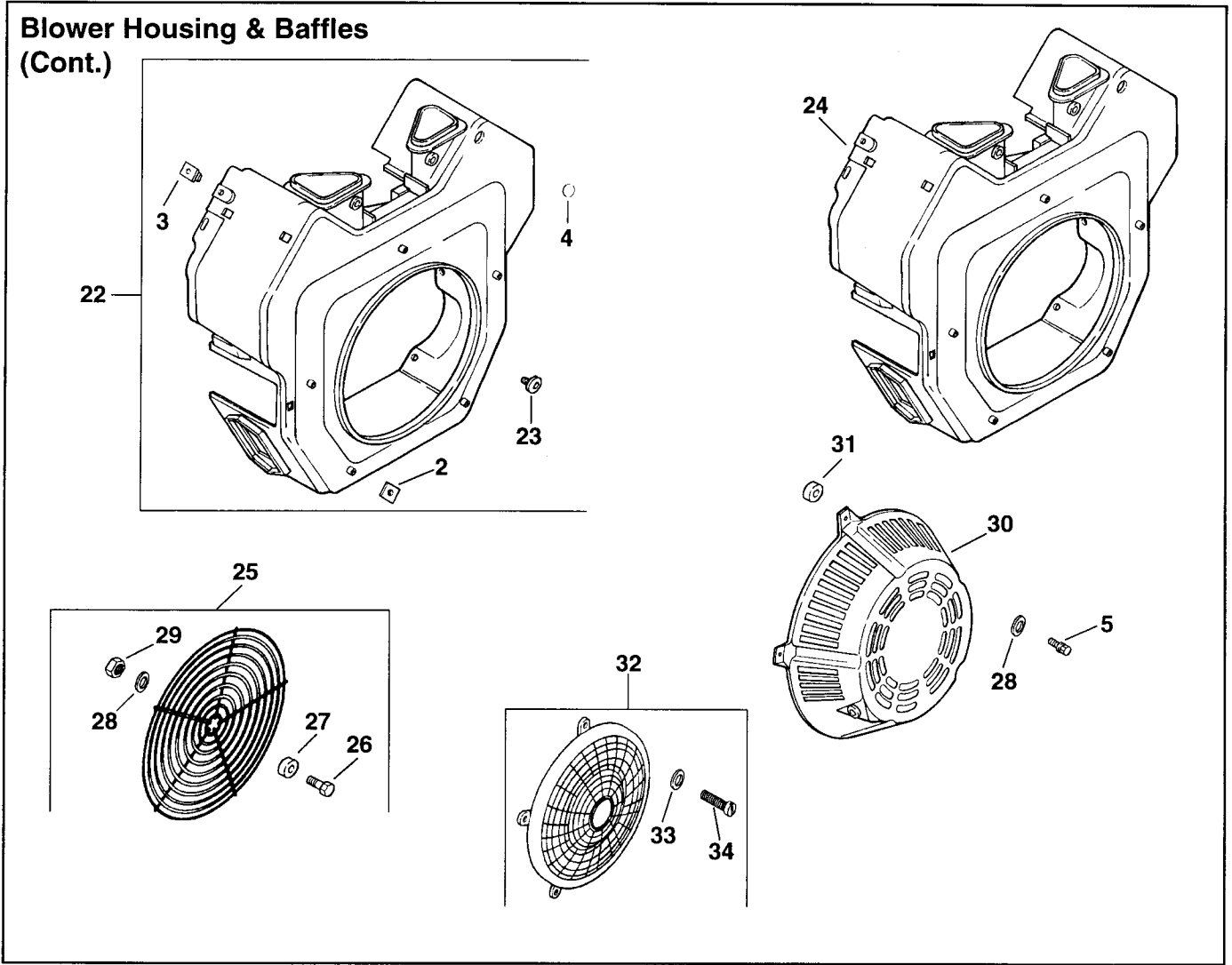
<b>Index Number</b>	<b>Description Variation Number</b>	<b>Part Number</b>	<b>Index Number</b>	<b>Description Variation Number</b>	<b>Part Number</b>
1	<b>Housing, blower</b> (Includes 2-4) (Use after Serial No. 2420100007, but before Serial No. 2507500017) 304	24 027 18	6	<b>Screw, hex. flange M5x0.8x20 (2)</b> 1,4,5,6,8,10,12,20,23,33,34,35,37, 38,39,51,55,57,62,67,68,71,72,73, 74,75,77,78,80,82,84,95,96,100, 101,104,105,107,300,301,302, 303,304,305,306,307	M-0545020
1	<b>Housing, blower</b> (Includes 2-4) (Use before Serial No. 2434300017) 306	24 027 18	6	<b>Screw, hex. flange M5x0.8x20 (4)</b> 88,89,91,92,98	M-0545020
1	<b>Housing, blower</b> (Includes 2-4) (Use before Serial No. 2507400007) 307	24 027 18	7	<b>Screw, hex. flange M5x0.8x16</b> 1,4,5,6,8,10,12,20,23,33,34,35,37, 38,39,51,55,57,61,62,67,68,71,72, 73,74,75,77,78,80,82,84,88,89,91, 92,95,96,98,99,100,101,104,105, 107,300,301,302,303,304,305, 306,307	M-0551016
1	<b>Housing, blower</b> (Includes 2-4) (Use after Serial No. 2502500007) 304	24 027 40	8	<b>Plate, backing – #2 side</b> 1,4,5,6,8,10,12,23,33,34,35,37, 38,39,55,57,62,67,68,72,73,74, 77,80,82,88,89,91,92,95,96,98, 101,300	24 146 02
1	<b>Housing, blower</b> (Includes 2-4) (Use after Serial No. 2434300007) 306	24 027 40	8	<b>Plate, backing – #2 side</b> 20,51,55,61,71,75,78,84,100, 104,105,107,301,302,303,304, 305,306,307	24 146 06
2	<b>Nut, plastic (3)</b> 1,4,5,6,8,10,12,20,23,33,34,35,37, 38,39,51,55,57,61,62,67,68,71,72, 73,74,75,77,78,80,82,84,88,89,91, 92,95,96,98,99,100,101,104,105, 107,300,301,302,303,304,305, 306,307	24 100 01	8	<b>Plate, backing – #2 side</b> 99	24 146 11
3	<b>Nut, plastic (2)</b> 1,4,5,6,8,10,12,20,23,33,34,35,37, 38,39,51,55,57,61,62,67,68,71,72, 73,74,75,77,78,80,82,84,88,89,91, 92,95,96,98,99,100,101,104,105, 107,300,301,302,303,304,305, 306,307	24 100 02	9	<b>Screw, hex. flange M6x1.0x16 (6)</b> 1,4,5,6,8,10,12,20,23,33,34,35,37, 38,39,51,55,57,62,67,68,71,72,73, 74,75,77,78,80,82,84,88,89,91,92, 95,96,98,100,101,104,105,107,300, 301,302,303,304,305,306,307	M-0645016
4	<b>Plug, button 9/16"</b> 1,4,5,6,8,10,12,20,23,33,34,35,37, 38,39,51,55,57,61,62,67,68,71,72, 73,74,75,77,78,80,82,84,88,89,91, 92,95,96,98,99,100,101,104,105, 107,300,301,302,303,304,305,306, 307	25 139 16	9	<b>Screw, hex. flange M6x1.0x16 (8)</b> 99	M-0645016
5	<b>Screw, hex. flange M5x0.8x16 (5)</b> 1,4,5,6,8,10,12,20,23,33,34,35,37, 38,39,51,55,57,62,67,71,72,73,74, 77,78,80,82,84,95,96,100,101,104, 105,300,301,302,303,304,305,306, 307	M-0545016	10	<b>Baffle, cylinder barrel – #2 side</b> 1,4,5,6,8,10,12,20,23,33,34,35,37, 38,39,51,55,57,61,62,67,68,71,72, 73,74,75,77,78,80,82,84,88,89,91, 92,95,96,98,99,100,101,104,105, 107,300,301,302,303,304,305, 306,307	24 063 20
5	<b>Screw, hex. flange M5x0.8x16 (10)</b> 61,68	M-0545016	11	<b>Baffle, valley – #2 side</b> 1,4,5,6,8,10,12,20,23,33,34,35,37, 38,39,51,55,57,61,62,67,68,71,72, 73,74,75,77,78,80,82,84,88,89,91, 92,95,96,98,99,100,101,104,105, 107,300,301,302,303,304,305, 306,307	24 063 17
5	<b>Screw, hex. flange M5x0.8x16 (3)</b> 88,89,91,92,98	M-0545016	12	<b>Baffle, valley – #1 side</b> 1,4,5,6,8,10,12,20,23,33,34,35,37, 38,39,51,55,57,61,62,67,68,71,72, 73,74,75,77,78,80,82,84,88,89,91, 92,95,96,98,99,100,101,104,105, 107,300,301,302,303,304,305, 306,307	24 063 24
5	<b>Screw, hex. flange M5x0.8x16 (7)</b> 99	M-0545016			
5	<b>Screw, hex. flange M5x0.8x16</b> (Before Serial No. 2409000017 use qty. 5, after Serial No. 2409000007, but before Serial No. 2501700017 use qty. 10, after Serial No. 2501700007 use qty. 5) 107	M-0545016			

**Blower Housing & Baffles  
(Cont.)**

**CH18-25**

Index Number	Description Variation Number	Part Number	Index Number	Description Variation Number	Part Number
13	<b>Screw, hex. flange M5x0.8x10 (2)</b> 1,4,5,6,8,10,12,20,23,33,34,35,37, 38,39,51,55,57,61,62,67,68,71,72, 73,74,75,77,78,80,82,84,88,89,91, 92,95,96,98,99,100,101,104,105, 107,300,301,302,303,304,305, 306,307	M-0545010	15	<b>Plate, backing – #1 side</b> 1,4,5,6,8,10,12,20,23,33,34,35, 37,38,39,51,55,57,61,62,67,68, 71,72,73,74,75,77,78,80,82,84, 88,89,91,92,95,96,98,99,100, 101,104,105,107,300,301,302, 303,304,305,306,307	24 146 08
14	<b>Baffle, cylinder barrel – #1 side</b> 1,4,6,35,67,73,88,89,96,98,100, 300	24 063 06	16	<b>Kit, "Q" duct</b> (Includes 17-21) 8,37,55,62	24 755 14
14	<b>Baffle, cylinder barrel – #1 side</b> 5,8,10,12,20,23,33,34,37,51,55, 61,62,71,72,99,105,107,302,303, 306	24 063 08	17	<b>Bracket, support (2)</b> 5,8,37,55,62	24 126 04
14	<b>Baffle, cylinder barrel – #1 side</b> (Replaced by 24 063 30) 38,39,68,74,75,77,78,80,82,84, 92,95,101,104,301,304,305,307	24 063 21	18	<b>Baffle, ducted air – left</b> 5,8,37,55,62	24 063 13
14	<b>Baffle, cylinder barrel – #1 side</b> (Replaced by 24 063 30) 57,91	24 063 19	19	<b>Screw, hex. flange M6x1.0x10 (4)</b> 5	M-0639010
			19	<b>Screw, hex. flange M6x1.0x10 (8)</b> 8,37,55,62	M-0639010
			20	<b>Plate, ducted air backing</b> 8,37,55,62	24 146 04
			21	<b>Baffle, ducted air – right</b> 5,8,37,55,62	24 063 12

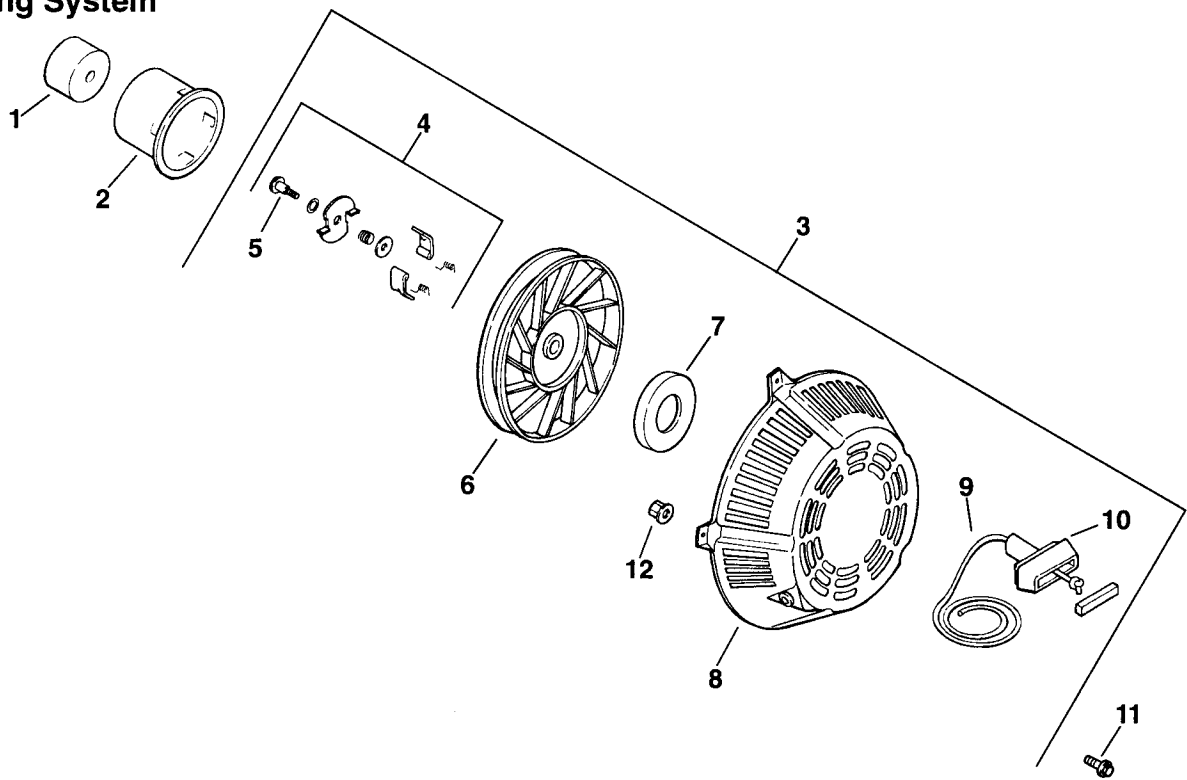
**Blower Housing & Baffles  
(Cont.)**



**CH18-25**

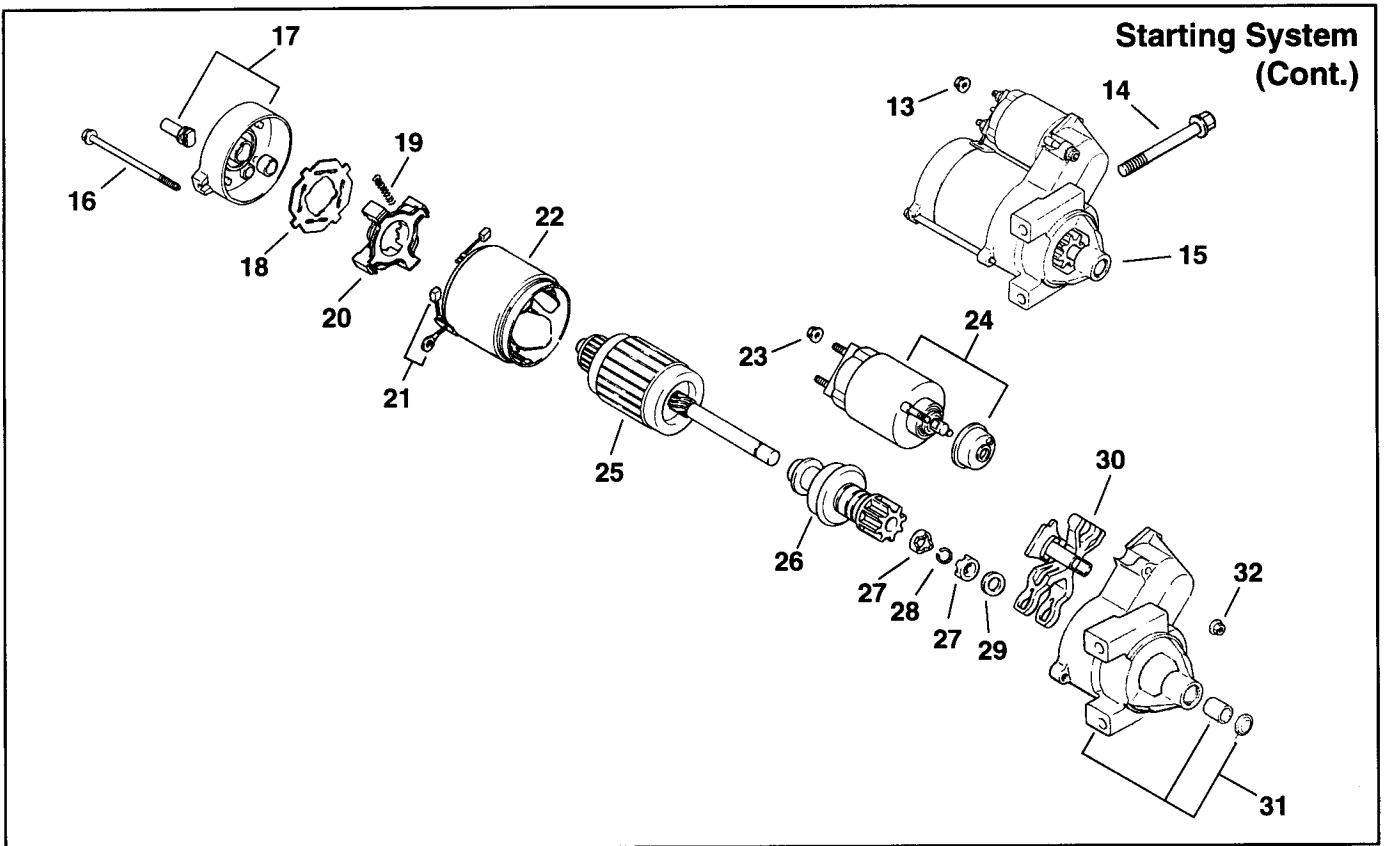
<b>Index Number</b>	<b>Description Variation Number</b>	<b>Part Number</b>	<b>Index Number</b>	<b>Description Variation Number</b>	<b>Part Number</b>
22	<b>Housing, blower</b> (Includes 2-4,23) 4,35,37,95,96,100,101	24 027 21	25	<b>Kit, fixed guard</b> (Includes 26-29) (Use before Serial No. 2434300017) 306	24 755 43
22	<b>Housing, blower</b> (Includes 2-4,23) 23,51,62,75,82	24 027 19	26	<b>Screw, hex. cap 1/4-20x1" (5)</b> 6,33,34,71,77,78,89,306	24 086 15
22	<b>Housing, blower</b> (Includes 2-4,23) 61	24 027 29	27	<b>Spacer (5)</b> 6,33,34,71,77,78,89,306	24 112 05
22	<b>Housing, blower</b> (Includes 2-4,23) 68	24 027 28	28	<b>Washer, plain 1/4" (5)</b> 6,33,34,61,68,71,77,78,89,306	X-25-53
22	<b>Housing, blower</b> (Includes 2-4,23) (Use before Serial No. 2409000017) 107	24 027 19	28	<b>Washer, plain 1/4" (5)</b> (Use after Serial No. 2409000007, but before Serial No. 2501700017) 107	X-25-53
22	<b>Housing, blower</b> (Includes 2-4,23) (Use after Serial No. 2409000007) 107	24 027 29	29	<b>Nut, elastic stop 1/4-20 (5)</b> 6,33,34,71,77,78,89,306	X-101-8
22	<b>Housing, blower</b> (Includes 2-4,23) (Use before Serial No. 2417500017) 301,303	24 027 19	30	<b>Guard</b> 61,68	24 314 08
22	<b>Housing, blower</b> (Includes 2-4,23) (Use before Serial No. 2420100017) 302,305	24 027 19	30	<b>Guard</b> (Use after Serial No. 2409000007, but before Serial No. 2501700017) 107	24 314 08
22	<b>Housing, blower</b> (Includes 2-4,23) (Use before Serial No. 2420100017) 304	24 027 19	31	<b>Spacer (5)</b> 61,68	24 112 09
22	<b>Housing, blower</b> (Includes 2-4,23) (Use after Serial No. 2507400007) 307	24 027 19	31	<b>Spacer (5)</b> (Use after Serial No. 2409000007, but before Serial No. 2501700017) 107	24 112 09
22	<b>Housing, blower</b> (Includes 2-4,23) (Use after Serial No. 2325200017) 300	24 027 21	32	<b>Kit, fixed guard</b> (Includes 33,34) 104,105	24 755 81
23	<b>Screw, hex. socket hd. 10-24x1/4"</b> 4,23,35,37,51,61,62,68,75,82,95, 96,100,101,107,300,301,302,303, 304,305	25 086 43	32	<b>Kit, fixed guard</b> (Includes 33,34) (Use after Serial No. 2501700007) 107	24 755 81
24	<b>Housing, blower</b> 99	24 027 43	32	<b>Kit, fixed guard</b> (Includes 33,34) (Use after Serial No. 2507500007) 304	24 755 81
25	<b>Kit, fixed guard</b> (Includes 26-29) 6,33,34,71,77,78,89	24 755 43	32	<b>Kit, fixed guard</b> (Includes 33,34) (Use after Serial No. 2434300007) 306	24 755 81
			33	<b>Washer, plain 7/32" (5)</b> 104,105,107,304,306	24 468 10
			34	<b>Screw, pan hd. M5x0.8x10 (5)</b> 104,105,107,304,306	24 086 35

**Group 7  
Starting System**



Index Number	Description Variation Number	Part Number	Index Number	Description Variation Number	Part Number
1	Spacer, drive cup 7	24 112 01	7	Spring & Keeper 7	12 089 06
2	Cup, drive 7	15 109 01	8	Housing, starter 7	12 081 01
3	Starter assembly, retractable (Includes 4-10) 7	12 165 01	9	Rope, starter 7	12 160 01
4	Kit, pawl (dog) repair 7	12 757 06	10	Handle, recoil start 7	234452
5	Screw, pozidriv 7	41 086 09	11	Screw, hex. cap M6x1.0x12 (5) 7	24 086 13
6	Pulley 7	12 093 01	12	Nut, hex. flange M6x1.0 (5) 7	M-0641060

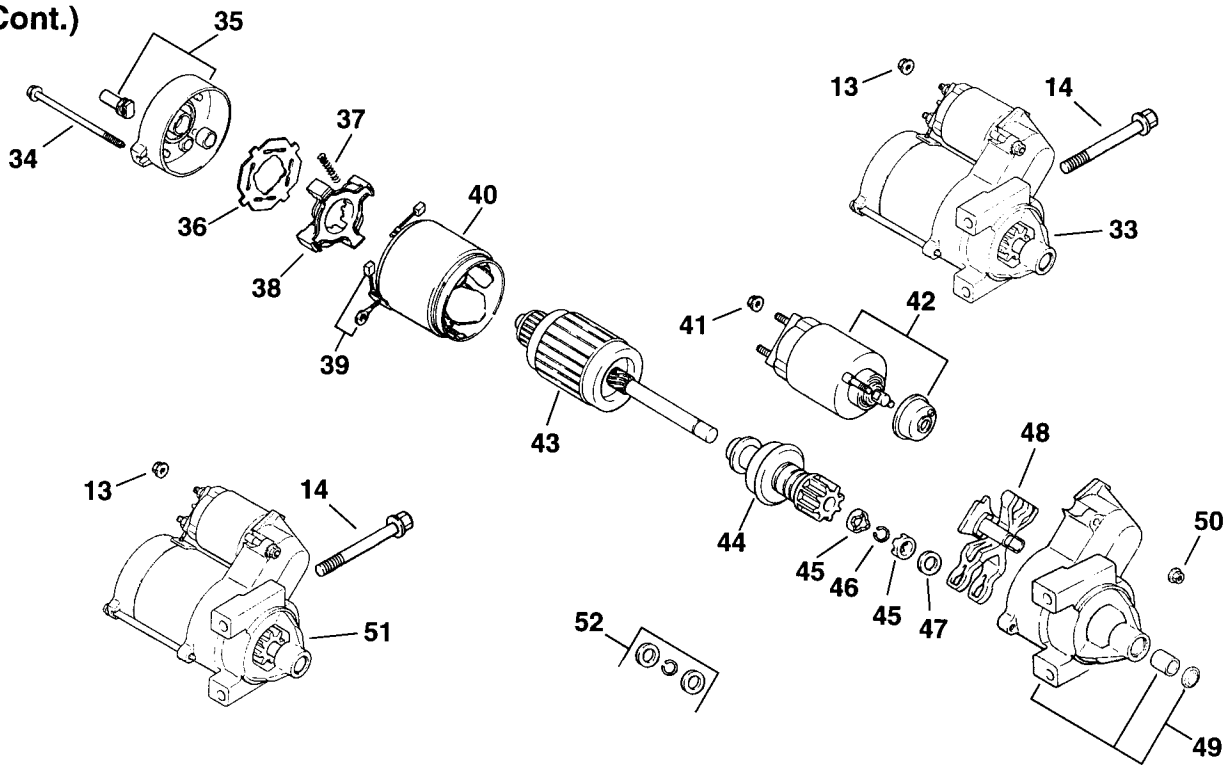
# CH18-25



Index Number	Description Variation Number	Part Number	Index Number	Description Variation Number	Part Number
13	Nut, hex. flange M8x1.25 2,5,7,200	M-0841080	20	Holder, brush	52 323 03
14	Screw, hex. flange M8x1.25x80.6 (2) 2,5,7,200	M-0839080	21	Kit, brush (Includes 19)	52 221 01
15	Starter, solenoid shift (Includes 16-32) 2	12 098 03	22	Frame	12 471 01
15	Starter, solenoid shift (Includes 16-32) (Use before Serial No. 2309800017) 200	12 098 03	23	Nut, starter	52 100 09
16	Bolt, thru M5x0.8x99 (2)	52 211 05	24	Solenoid	52 435 02
17	Cap, commutator end	12 301 01	25	Armature	12 170 03
18	Insulator	52 168 01	26	Pinion, drive	12 239 01
19	Spring, brush (4)	52 089 09	27	Nut, stop collar (2)	52 100 08
			28	Ring, retainer	52 141 03
			29	Washer, thrust	52 468 14
			30	Lever, starter drive	12 090 10
			31	Cap, drive end	12 081 02
			32	Nut, starter (2)	52 100 10

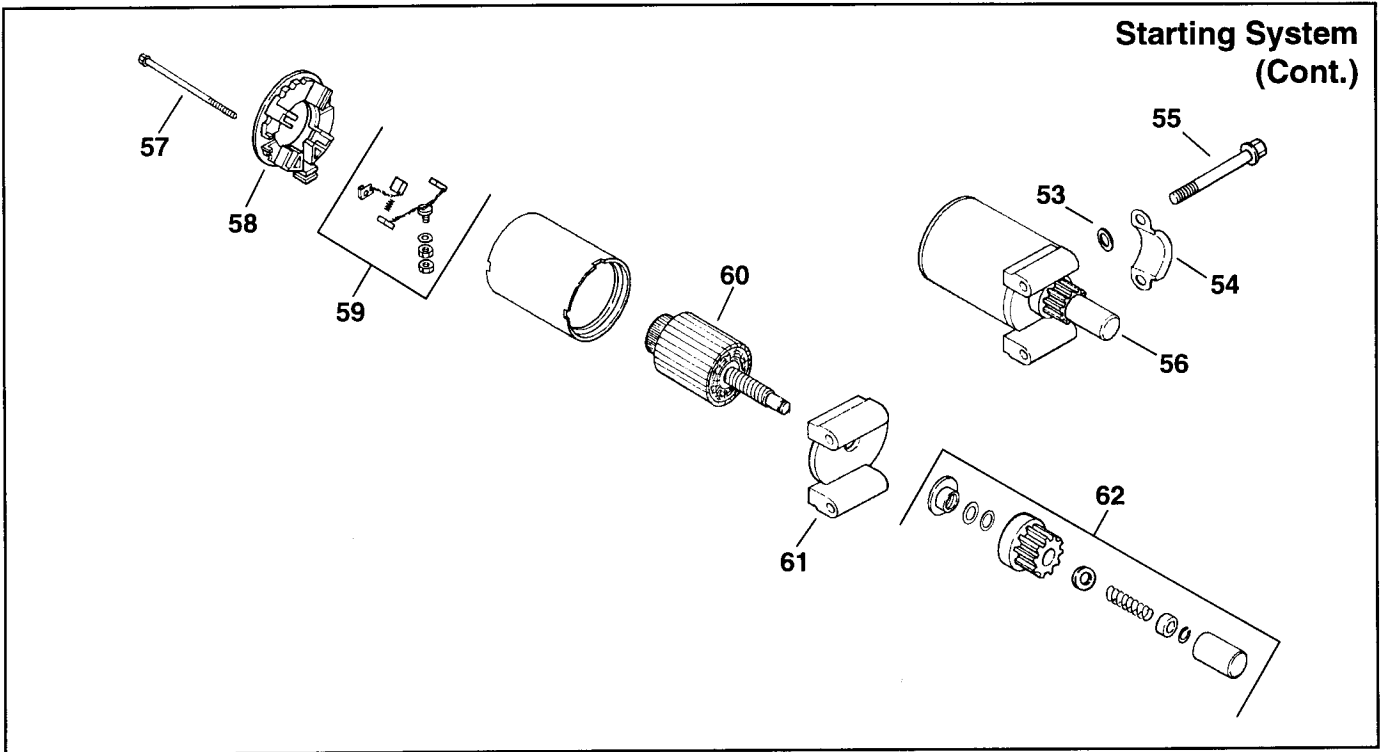
# CH18-25

## Starting System (Cont.)



Index Number	Description Variation Number	Part Number	Index Number	Description Variation Number	Part Number
33	Starter, solenoid shift (Includes 34-50) 5,7	24 098 01	42	Solenoid	52 435 02
33	Starter, solenoid shift (Includes 34-50) (Use after Serial No. 2309800007, but before Serial No. 2509000017) 200	24 098 01	43	Armature	12 170 03
34	Bolt, thru M5x0.8x99 (2)	52 211 05	44	Drive pinion	12 239 01
35	Cap, commutator end	24 301 01	45	Nut, stop collar (2) (Replaced by 82 755 84)	52 100 08
36	Insulator	52 168 01	46	Ring, retainer (Replaced by 82 755 84)	52 141 03
37	Spring, brush (4)	52 089 09	47	Washer, thrust (Replaced by 82 755 84)	52 468 14
38	Holder, brush	52 323 03	48	Lever, starter drive	12 090 10
39	Kit, brush (Includes 37)	52 221 01	49	Cap, drive end	24 081 04
40	Frame	12 471 01	50	Nut, starter (2)	52 100 10
41	Nut, starter	52 100 09	51	Starter, solenoid shift (Includes 34-44,48-50,52) (Use after Serial No. 2509000007) 200	24 098 01
			52	Kit, starter repair	82 755 84

# CH18-25



Index Number	Description Variation Number	Part Number	Index Number	Description Variation Number	Part Number
53	Washer, plain 11/32" (2) 8	24 468 01	57	Screw, hex. flange 1/4-20x4-5/8" (2)	12 086 25
54	Cover, pinion 8	24 096 05	58	Cap, commutator end	12 227 11
55	Screw, hex. flange M8x1.25x70 (2) 8	M-0839070	59	Kit, brush & spring	82 755 28
56	Starter, bendix assembly (Includes 55-60) 8	25 098 03	60	Armature	45 170 03
			61	Cap, drive end	12 227 06
			62	Kit, drive	12 755 54

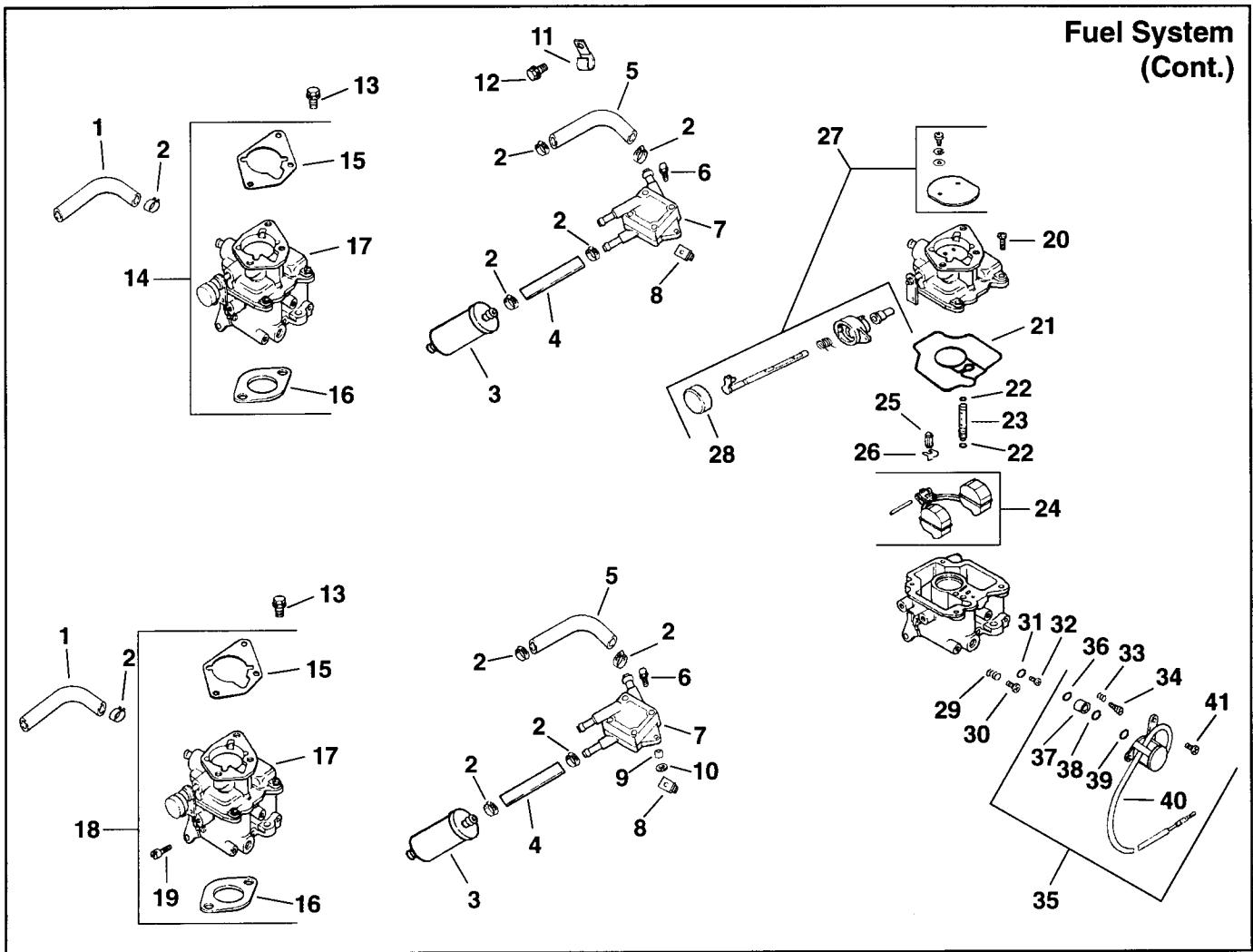
The chart below lists carburetor kits, supersessions and/or serial breaks. Locate your variation in the chart to find the appropriate carburetor kit. To ensure that the correct carburetor kit or individual carburetor components are ordered, locate your part number stamped on the carburetor mounting flange and follow the corresponding assembly breakdown.

Variations	Carburetor Kit (Carburetor assembly used in Kit*)
1,21,90	24 853 03 (24 053 01*)
2,6,9,13,14,15,35,52, 56,78,81,83,84,96,106	24 853 04 (24 053 02*) – or use – 24 853 35 (24 053 32*)
3,5,10,19,31,34,47,51, 70,105,302	24 853 02 (24 053 02*) – or use – 24 853 32 (24 053 32*)
4,87	24 853 01 (24 053 01*)
29,30,55,76,91,102, 107,110,111	24 853 15 (24 053 15*) – or use – 24 853 34 (24 053 34*)
58	24 853 20 (24 053 14*)
63	24 853 02 (24 053 02*) Use before Serial No. 2326400017 – or use – 24 853 32 (24 053 32*) 24 853 20 (24 053 14*) Use after Serial No. 2326400007
64,65,79,109	24 853 20 (24 053 14*)
100	24 853 30 (24 053 30*)
114	24 853 03 (24 053 01*) Use before Serial No. 2417500017 24 853 04 (24 053 02*) Use after Serial No. 2417500007 – or use – 24 853 35 (24 053 32*)
300	24 853 01 (24 053 01*) Use before Serial No. 2214700017 24 853 02 (24 053 02*) Use after Serial No. 2214700007 – or use – 24 853 32 (24 053 32*)
301	24 853 01 (24 053 01*) Use before Serial No. 2401200017 24 853 02 (24 053 01*) Use after Serial No. 2401200007 – or use – 24 853 32 (24 053 32*)
303	24 853 02 (24 053 02*) Use before Serial No. 2404600017 – or use – 24 853 32 (24 053 32*) 24 853 20 (24 053 14*) Use after Serial No. 2404600007
304	24 853 01 (24 053 01*) Use before Serial No. 2417500017 24 853 02 (24 053 02*) Use after Serial No. 2417500007 – or use – 24 853 32 (24 053 32*)

\*NOTE: Carburetor assembly is for information only, not available separately.



# CH18-25

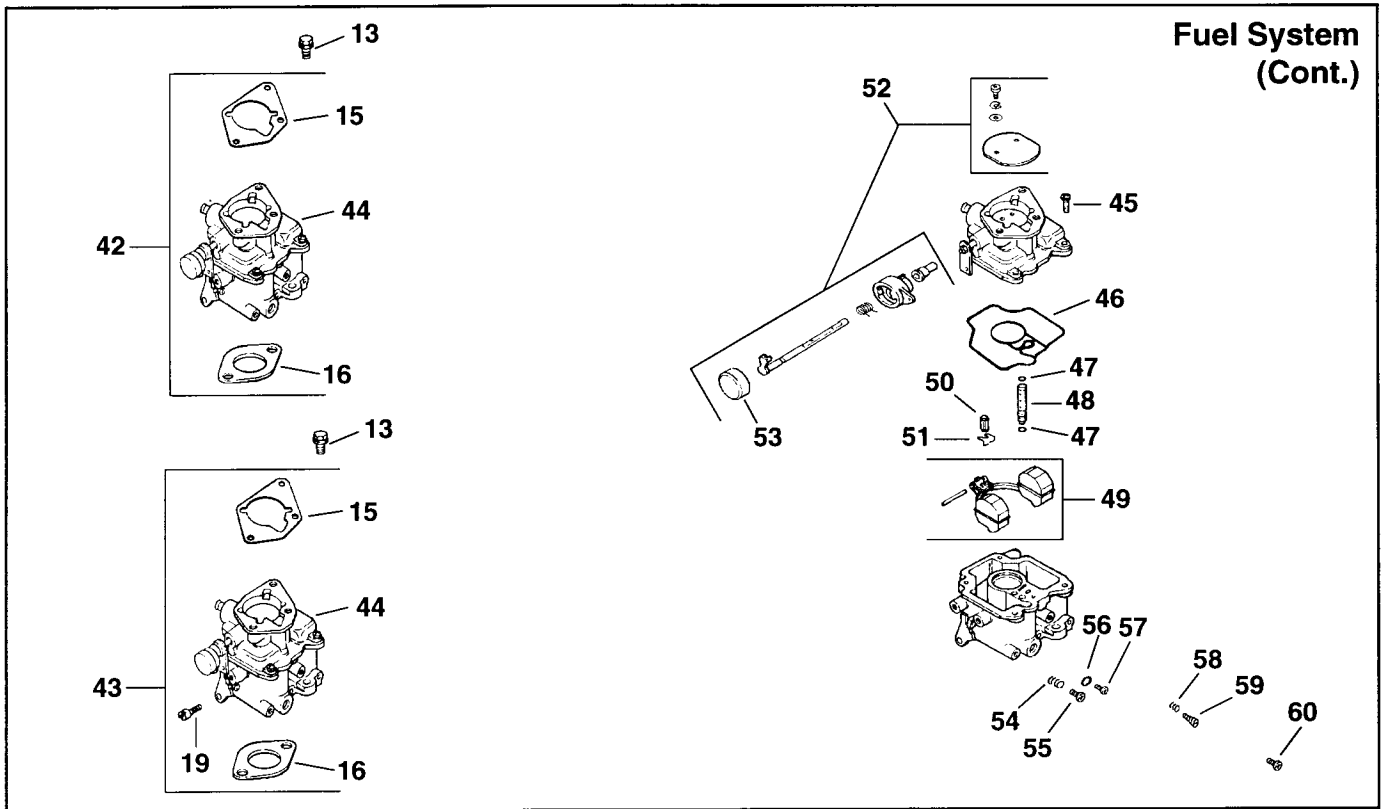


Index Number	Description Variation Number	Part Number	Index Number	Description Variation Number	Part Number
1	Line, fuel 9" 1,2,4,9,10,15,19,21,30,31,34,35,55, 56,58,65,70,78,79,81,83,84,87,90, 91,106,107,110,114,300,301,302, 303,304	25 353 10	3	Filter, fuel (Replaced by 24 050 02) 1,2,3,4,5,6,9,10,13,14,15,19,21,29, 30,47,51,52,55,58,63,64,65,70,76, 78,79,81,84,87,91,96,102,105,106, 109,110,111,114,300,301,302,303, 304	25 050 03
1	Line, fuel 9" (2) 3,5,14,47,51,52,63,64,76,96,105, 109	25 353 10	4	Line, fuel 3-1/2" 1,4,5,6,19,21,29,30,64,65,79,81, 83,84,91,102,105,106,111,114,300, 301,303,304	25 353 15
2	Clamp, hose (6) 1,2,3,4,5,6,9,10,13,14,19,21,29,30, 47,51,52,55,63,64,65,76,79,81,83, 84,87,96,102,105,106,107,109,111, 114,300,301,303,304	X-426-9	4	Line, fuel 10" 2,3	52 353 20
2	Clamp, hose (2) 15,70,78,90,110	X-426-9	4	Line, fuel 6-3/4" 9	52 353 04
2	Clamp, hose (4) 31,34,56,58	X-426-9	4	Line, fuel 6-1/4" 14,55,81,84	25 353 04
2	Clamp, hose 35	X-426-9	4	Line, fuel 11-1/2" 87	15 353 04
			4	Line, fuel 3-1/2" (Use after Serial No. 2303700007) 302	25 353 15

Index Number	Description Variation Number	Part Number	Index Number	Description Variation Number	Part Number
5	<b>Line, fuel 15-1/2"</b> 1,2,3,4,5,9,10,14,19,21,29,30,31, 34,47,51,52,55,56,58,63,64,65,76, 79,83,87,91,102,105,106,109,111, 114,300,301,303,304	24 353 02	13	<b>Screw, hex. flange M6x1.0x30 (2)</b> 1,2,3,4,5,6,9,10,13,14,15,19,21,29, 30,31,34,35,47,51,52,55,56,58,63, 64,65,70,76,78,79,81,83,84,87,90, 91,96,102,105,106,107,109,110, 111,114,300,301,302,303,304	M-0651030
5	<b>Line, fuel 15-1/2"</b> (Use after Serial No. 2303700007) 302	24 353 02	14	<b>Kit, carburetor</b> (Includes 15-17, carburetor assembly 24 053 02*)	24 853 02
6	<b>Screw, hex. cap 18 mm (2)</b> 1,3,4,5,6,9,10,14,15,19,29,30,34, 47,51,52,55,56,58,63,64,65,76,78, 79,81,83,84,87,91,96,102,105,106, 109,110,111,114,300,301,302,303, 304	24 086 12	14	<b>Kit, carburetor</b> (Includes 15-17, carburetor assembly 24 053 32*)	24 853 32
6	<b>Screw, sems hex. cap 1/4-14x1-1/2" (2)</b> 2,21,31	24 086 31	15	<b>Gasket, air cleaner</b> 1,2,3,4,5,6,9,10,13,14,15,19,21,29, 30,31,34,35,47,51,52,55,56,58,63, 64,65,70,76,78,81,83,84,87,90,91, 96,102,105,106,109,110,111,114, 300,301,302,303,304	24 041 06
6	<b>Screw, hex. cap 18 mm (2)</b> (Use after Serial No. 2303700007) 302	24 086 12	16	<b>Gasket, carburetor</b> 1,2,3,4,5,6,9,10,13,14,15,19,21,29, 30,31,34,35,47,51,52,55,56,58,63, 64,65,70,76,78,81,83,84,87,90,91, 96,102,105,106,109,110,111,114, 300,301,302,303,304	24 041 17
7	<b>Pump, fuel – pulse</b> 1,2,3,4,5,6,9,10,14,19,21,29,30,31, 34,47,51,52,55,56,58,63,64,65,76, 79,81,83,84,87,91,96,102,105,106, 109,111,114,300,301,303,304	24 393 04	17	<b>Carburetor assembly</b> (Includes 20-41, carburetor repair kit 24 757 03, high altitude kits 24 755 01 & 24 755 02)	24 053 02*
7	<b>Pump, fuel – pulse</b> (Use after Serial No. 2303700007) 302	24 393 04	17	<b>Carburetor assembly</b> (Includes 20-41, carburetor repair kit 24 757 03, high altitude kits 24 755 01 & 24 755 02)	24 053 32*
8	<b>Nut, plastic (2)</b> 1,2,3,4,5,6,9,10,14,15,19,21,29,30, 31,34,47,51,52,55,56,58,63,65,76, 78,79,81,83,84,87,91,96,102,105, 106,109,110,111,114,300,301,303, 304	24 100 01	18	<b>Kit, carburetor</b> (Includes 15-17,19, carburetor assembly 24 053 02*)	24 853 04
8	<b>Nut, plastic (2)</b> (Use after Serial No. 2303700007) 302	24 100 01	18	<b>Kit, carburetor</b> (Includes 15-17,19, carburetor assembly 24 053 32*)	24 853 35
9	<b>Spacer (2)</b> 2,31,111	52 112 13	19	<b>Screw, throttle stop</b> 1,2,6,9,13,14,15,35,52,56,81,90, 96,106,114	25 086 05
10	<b>Washer, plain 1/4" (2)</b> 2,31,111	X-25-52	20	<b>Screw, sems pan hd. M4x0.7x16 (4)</b>	24 086 09
11	<b>Clip</b> (Order qty. according to design used on engine.) 1,2,3,4,5,6,9,10,14,29,30,34,47,51, 52,56,58,63,64,65,76,79,81,83,84, 87,91,96,102,105,106,109,111,300, 301,302,303	47 154 01	21	<b>Gasket, carburetor body</b>	24 041 09
12	<b>Screw, hex. flange M6x1.0x10</b> 1,2,4,5,6,9,10,14,29,30,34,47,51, 52,56,58,63,64,65,76,79,81,83,84, 87,91,96,102,105,106,109,111,300, 301,303	M-0650012	22	<b>O-Ring, slow jet (2)</b>	24 153 02
12	<b>Screw, hex. flange M6x1.0x10</b> (Use after Serial No. 2303700007) 302	M-0650012	23	<b>Jet, slow</b>	24 337 01
			24	<b>Kit, float repair</b>	24 757 02
			25	<b>Valve, inlet needle</b>	24 462 01
			26	<b>Clip, inlet needle valve</b>	24 154 01
			27	<b>Kit, choke repair</b> (Includes 28)	24 757 07
			28	<b>Cap, choke lever</b>	24 173 02
			29	<b>Spring, idle speed adjusting</b>	24 089 10
			30	<b>Screw, idle speed adjusting</b>	24 086 10
			31	<b>O-Ring, main jet screw</b>	24 153 03
			32	<b>Screw, main jet</b>	24 337 02
			33	<b>Spring, idle adjusting</b>	24 089 11
			34	<b>Needle, idle adjusting</b>	24 368 01

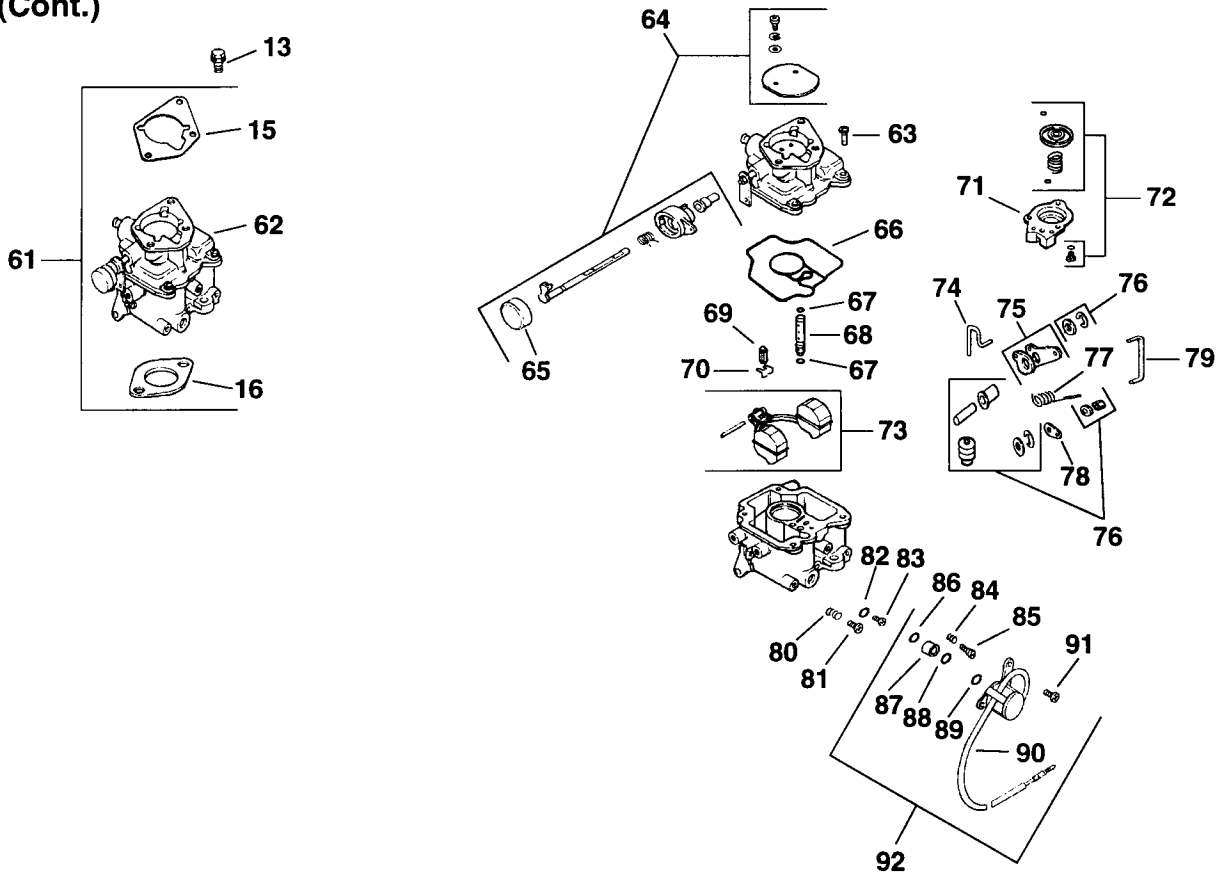
\*NOTE: Carburetor assembly is for information only, not available separately.

Index Number	Description Variation Number	Part Number	Index Number	Description Variation Number	Part Number
35	Kit, solenoid assembly (Includes 36-41)	24 757 01	39	O-Ring, solenoid	24 153 04
36	O-Ring, solenoid	24 153 06	40	Solenoid	24 435 01
37	Seat, solenoid	24 521 01	41	Screw, sems pan hd. M4x0.7x8 (2)	24 086 07
38	O-Ring, solenoid	24 153 05	*NOTE: Carburetor assembly is for information only, not available separately.		



Index Number	Description Variation Number	Part Number	Index Number	Description Variation Number	Part Number
42	Kit, carburetor (Includes 15,16,44, carburetor assembly 24 053 01*)	24 853 01	50	Valve, inlet needle	24 462 01
43	Kit, carburetor (Includes 15,16,19,44, carburetor assembly 24 053 01*)	24 853 03	51	Clip, inlet needle valve	24 154 01
44	Carburetor assembly (Includes 45-60, carburetor repair kit 24 757 03, high altitude kits 24 755 01 & 24 755 02)	24 053 01*	52	Kit, choke repair (Includes 53)	24 757 07
45	Screw, sems pan hd. M4x0.7x16 (4)	24 086 09	53	Cap, choke lever	24 173 02
46	Gasket, carburetor body	24 041 09	54	Spring, idle speed adjusting	24 089 10
47	O-Ring, slow jet (2)	24 153 02	55	Screw, idle speed adjusting	24 086 10
48	Jet, slow	24 337 01	56	O-Ring, main jet screw	24 153 03
49	Kit, float repair	24 757 02	57	Screw, main jet	24 337 02
			58	Spring, idle adjusting	24 089 11
			59	Needle, idle adjusting	24 368 01
			60	Screw, hex. flange M8x1.0x10	24 086 11
			*NOTE: Carburetor assembly is for information only, not available separately.		

**Fuel System  
(Cont.)**



Index Number	Description Variation Number	Part Number	Index Number	Description Variation Number	Part Number
61	<b>Kit, carburetor</b> (Includes 15,16,62, carburetor assembly 24 053 14*)	24 853 20	73	<b>Kit, float</b>	24 757 02
61	<b>Kit, carburetor</b> (Includes 15,16,62, carburetor assembly 24 053 15*)	24 853 15	74	<b>Linkage, rod</b>	24 079 06
61	<b>Kit, carburetor</b> (Includes 15,16,62, carburetor assembly 24 053 34*)	24 853 34	75	<b>Lever, link</b>	24 090 16
62	<b>Carburetor assembly</b> (Includes 63-92, carburetor repair kit 24 757 03, high altitude kits 24 755 01 & 24 755 02)	24 053 14*	76	<b>Kit, repair – accelerator pump diaphragm</b>	24 757 09
63	<b>Screw, M4x0.7x16 (4)</b>	24 086 09	77	<b>Spring</b>	24 089 27
64	<b>Kit, choke repair</b> (Includes 65)	24 757 07	78	<b>Lever, link</b>	24 090 15
65	<b>Cap, choke lever</b>	24 173 02	79	<b>Linkage, rod</b>	24 079 07
66	<b>Gasket, carburetor body</b>	24 041 09	80	<b>Spring, idle speed adjusting screw</b>	24 089 10
67	<b>O-Ring, slow jet (2)</b>	24 153 02	81	<b>Screw, idle speed adjusting</b>	24 086 10
68	<b>Jet, slow</b>	24 337 01	82	<b>O-Ring, main jet screw</b>	24 153 03
69	<b>Valve, inlet needle</b>	24 462 01	83	<b>Screw, main jet</b>	24 337 02
70	<b>Clip, inlet needle valve</b>	24 154 01	84	<b>Spring, idle fuel adjusting needle</b>	24 089 11
71	<b>Housing, pump</b>	24 081 05	85	<b>Needle, idle fuel adjusting</b>	24 368 01
72	<b>Kit, repair – accelerator pump seal &amp; bushing</b>	24 757 08	86	<b>O-Ring, solenoid</b>	24 153 06
			87	<b>Seat, solenoid</b>	24 521 01
			88	<b>O-Ring, solenoid</b>	24 153 05
			89	<b>O-Ring, solenoid</b>	24 153 04
			90	<b>Solenoid</b>	24 435 01
			91	<b>Screw, sems pan hd. M4x0.7x8 (2)</b>	24 086 07
			92	<b>Kit, solenoid</b> (Includes 86-91)	24 757 01

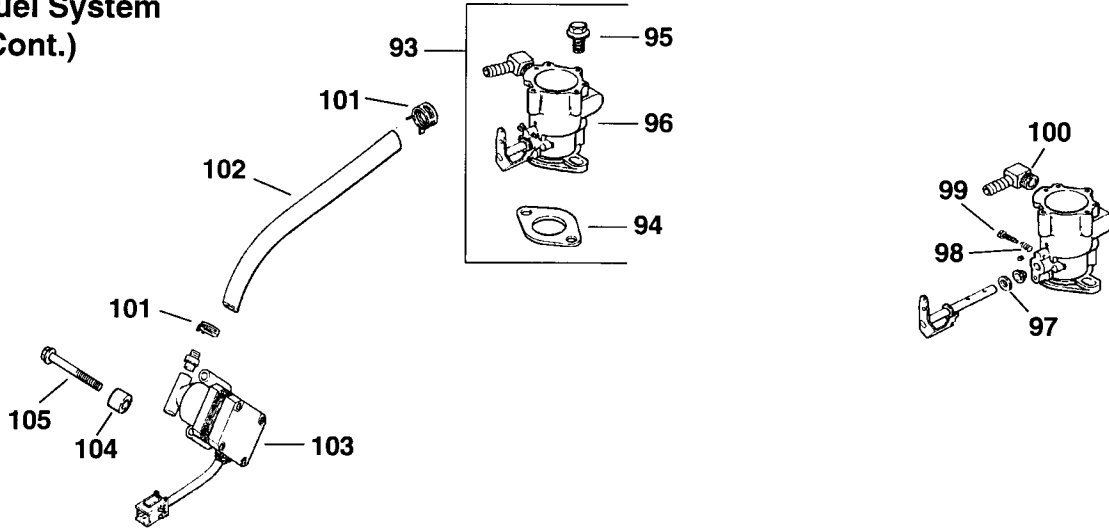
\*NOTE: Carburetor assembly is for information only, not available separately.

Index Number	Description Variation Number	Part Number	Index Number	Description Variation Number	Part Number
62	<b>Carburetor assembly</b> (Includes 63-92, carburetor repair kit 24 757 03, high altitude kits 24 755 01 & 24 755 02)	24 053 15*	62	<b>Carburetor assembly</b> (Includes 63-92, carburetor repair kit 24 757 03, high altitude kits 24 755 01 & 24 755 02)	24 053 34*
63	<b>Screw, M4x0.7x16 (4)</b>	24 086 09	63	<b>Screw, sems pan hd. M4x0.7x16 (4)</b>	24 086 09
64	<b>Kit, choke repair</b> (Includes 65)	24 757 07	64	<b>Kit, choke repair</b> (Includes 65)	24 757 07
65	<b>Cap, choke lever</b>	24 173 02	65	<b>Cap, choke lever</b>	24 173 02
66	<b>Gasket, carburetor body</b>	24 041 09	66	<b>Gasket, carburetor body</b>	24 041 09
67	<b>O-Ring, slow jet (2)</b>	24 153 02	67	<b>O-Ring, slow jet (2)</b>	24 153 02
68	<b>Jet, slow</b>	24 337 29	68	<b>Jet, slow</b>	24 337 29
69	<b>Valve, inlet needle</b>	24 462 01	69	<b>Valve, inlet needle</b>	24 462 01
70	<b>Clip, inlet needle valve</b>	24 154 01	70	<b>Clip, inlet needle valve</b>	24 154 01
71	<b>Housing, pump</b>	24 081 05	71	<b>Housing, pump</b>	24 081 05
72	<b>Kit, repair – accelerator pump seal &amp; bushing</b>	24 757 08	72	<b>Kit, repair – accelerator pump seal &amp; bushing</b>	24 757 08
73	<b>Kit, float</b>	24 757 02	73	<b>Kit, float</b>	24 757 02
74	<b>Linkage, rod</b>	24 079 06	74	<b>Linkage, rod</b>	24 079 06
75	<b>Lever, link</b>	24 090 16	75	<b>Lever, link</b>	24 090 16
76	<b>Kit, repair – accelerator pump diaphragm</b>	24 757 09	76	<b>Kit, repair – accelerator pump diaphragm</b>	24 757 09
77	<b>Spring</b>	24 089 27	77	<b>Spring</b>	24 089 27
78	<b>Lever, link</b>	24 090 15	78	<b>Lever, link</b>	24 090 15
79	<b>Linkage, rod</b>	24 079 07	79	<b>Linkage, rod</b>	24 079 07
80	<b>Spring, idle speed adjusting screw</b>	24 089 10	80	<b>Spring, idle speed adjusting screw</b>	24 089 10
81	<b>Screw, idle speed adjusting</b>	24 086 10	81	<b>Screw, idle speed adjusting</b>	24 086 10
82	<b>O-Ring, main jet screw</b>	24 153 03	82	<b>O-Ring, main jet screw</b>	24 153 03
83	<b>Screw, main jet</b>	24 337 30	83	<b>Screw, main jet</b>	24 337 30
84	<b>Spring, idle fuel adjusting needle</b>	24 089 11	84	<b>Spring, idle fuel adjusting needle</b>	24 089 11
85	<b>Needle, idle fuel adjusting</b>	24 368 01	85	<b>Needle, idle fuel adjusting</b>	24 368 01
86	<b>O-Ring, solenoid</b>	24 153 06	86	<b>O-Ring, solenoid</b>	24 153 06
87	<b>Seat, solenoid</b>	24 521 01	87	<b>Seat, solenoid</b>	24 521 01
88	<b>O-Ring, solenoid</b>	24 153 05	88	<b>O-Ring, solenoid</b>	24 153 05
89	<b>O-Ring, solenoid</b>	24 153 04	89	<b>O-Ring, solenoid</b>	24 153 04
90	<b>Solenoid</b>	24 435 01	90	<b>Solenoid</b>	24 435 01
91	<b>Screw, sems pan hd. M4x0.7x8 (2)</b>	24 086 07	91	<b>Screw, sems pan hd. M4x0.7x8 (2)</b>	24 086 07
92	<b>Kit, solenoid</b> (Includes 86-91)	24 757 01	92	<b>Kit, solenoid</b> (Includes 86-91)	24 757 01

\*NOTE: Carburetor assembly is for information only, not available separately.

# CH18-25

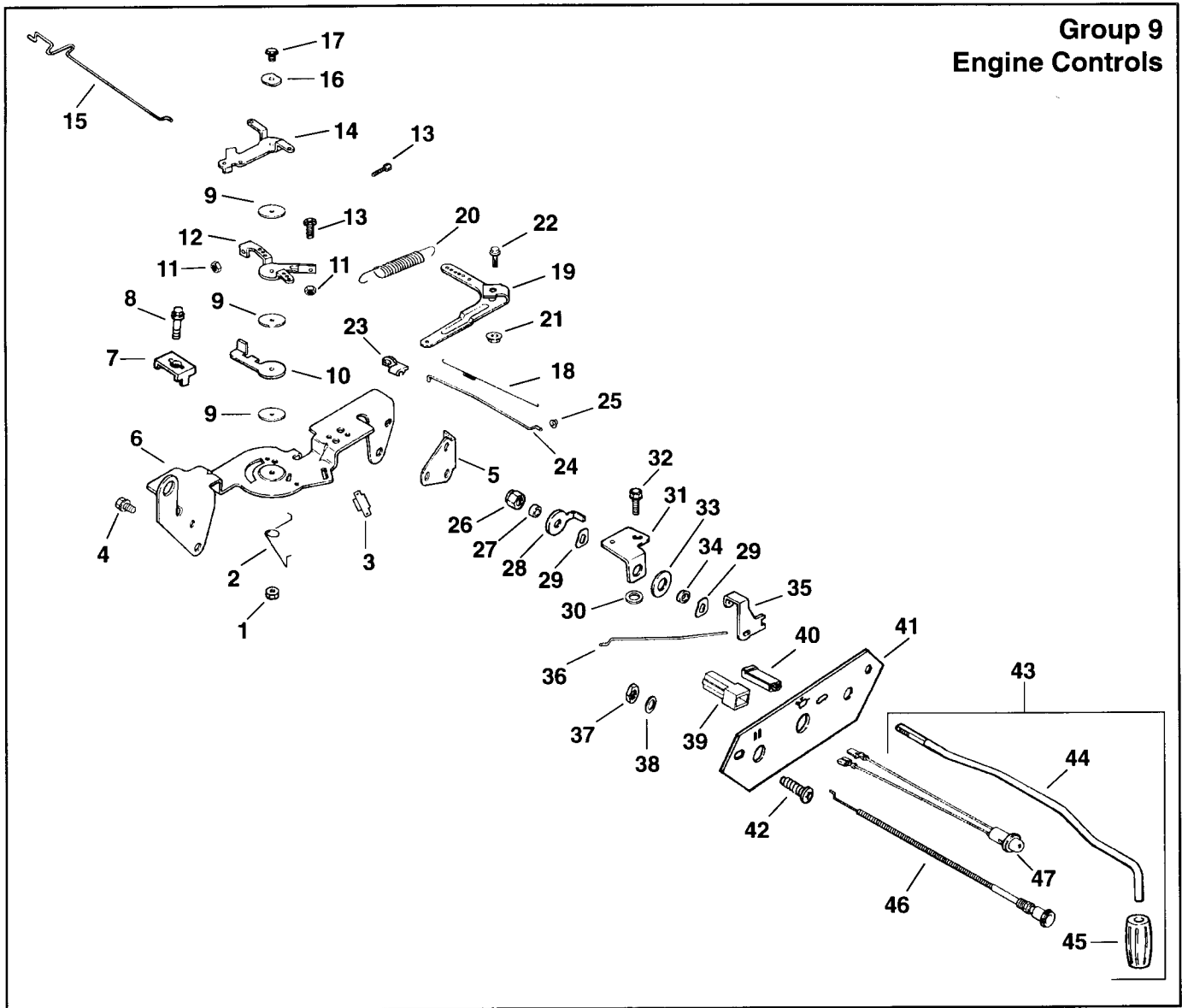
## Fuel System (Cont.)



Index Number	Description Variation Number	Part Number	Index Number	Description Variation Number	Part Number
93	<b>Kit, carburetor</b> (Includes 94-96, carburetor assembly 24 053 30*)	24 853 30	<b>Not Illustrated</b>		
94	<b>Gasket, carburetor</b> 100	24 041 26	<b>Kit, carburetor repair</b> (Includes carburetor gasket, carburetor screw, idle needle spring, slow jet o-ring, main jet o-ring, solenoid o-ring, inlet needle clip, idle needle, inlet needle valve)		
95	<b>Screw, hex. flange M8x1.25x30 (2)</b> 100	M-0851030	24 757 03		
96	<b>Carburetor assembly</b> (Includes 97-100)	24 053 30*	<b>Kit, high altitude (1500 meters)</b> (Includes solenoid o-ring, main jet o-ring, main jet)		
97	<b>Washer, plain 1/4"</b>	X-25-8	24 755 01**		
98	<b>Spring, adjusting screw</b>	232555	<b>Kit, high altitude (1500-3000 meters)</b> (Includes solenoid o-ring, main jet o-ring, main jet)		
99	<b>Screw, adjusting</b>	232556	24 755 54**		
100	<b>Fitting, elbow</b>	24 294 05	<b>Kit, high altitude (3000 meters)</b> (Includes solenoid o-ring, main jet o-ring, slow jet o-ring, main jet, slow jet)		
101	<b>Clamp, hose (2)</b> 100	X-426-3	24 755 02**		
102	<b>Line, fuel</b> 100	24 353 05	<b>Kit, high altitude (Over 3000 meters)</b> (Includes solenoid o-ring, main jet o-ring, slow jet o-ring, main jet, slow jet)		
103	<b>Valve, fuel metering</b> 100	24 462 06	24 755 55**		
104	<b>Spacer (2)</b> 100	265861	<b>*NOTE: Carburetor assembly is for information only, not available separately.</b>		
105	<b>Screw, hex. flange M6x1.0x45 (2)</b> 100	M-0639045	<b>**NOTE: Do not use on certified engines in California.</b>		

# CH18-25

## Group 9 Engine Controls



Index Number	Description Variation Number	Part Number	Index Number	Description Variation Number	Part Number
1	<b>Nut, hex. flange M5x0.8</b> 1,2,7,9,12,13,16,17,20,22,25,26, 27,28,29,30,31,32,34,43,44,51, 201	M-0547050	6	<b>Bracket, control</b> 1,2,7,9,12,13,16,17,20,22,25,26, 27,28,29,30,31,32,34,43,44,51, 201	24 126 13
2	<b>Spring, choke return</b> 1,2,12,17,26,29,51,201	24 089 03	7	<b>Clamp, cable (2)</b> 1,2,12,13,26,29,34,51,201	12 237 01
3	<b>Terminal</b> 1,7,30	25 452 13	8	<b>Screw, hex. flange M5x0.8x16 (3)</b> 1,2,7,12,17,22,26,29,34,44,201	SM-0545016
4	<b>Screw, hex. flange M6x1.0x16 (4)</b> 1,2,7,9,12,13,16,17,20,22,25,26, 27,28,29,30,31,32,33,34,43,44, 51,201	M-0645016	8	<b>Screw, hex. flange M5x0.8x16</b> 9,13,20,25,27,30,31,32,43	SM-0545016
4	<b>Screw, hex. flange M6x1.0x16 (3)</b> 52	M-0645016	8	<b>Screw, hex. flange M5x0.8x16 (2)</b> 51	SM-0545016
4	<b>Screw, hex. flange M6x1.0x16 (2)</b> 15,46	M-0645016	9	<b>Washer, plain 5 mm (3)</b> 1,2,7,9,12,13,16,17,20,22,25,26, 27,28,29,30,31,32,34,43,44,51, 201	24 468 01
5	<b>Bracket, support</b> 2,52	24 126 04			

**Engine Controls  
(Cont.)**

**CH18-25**

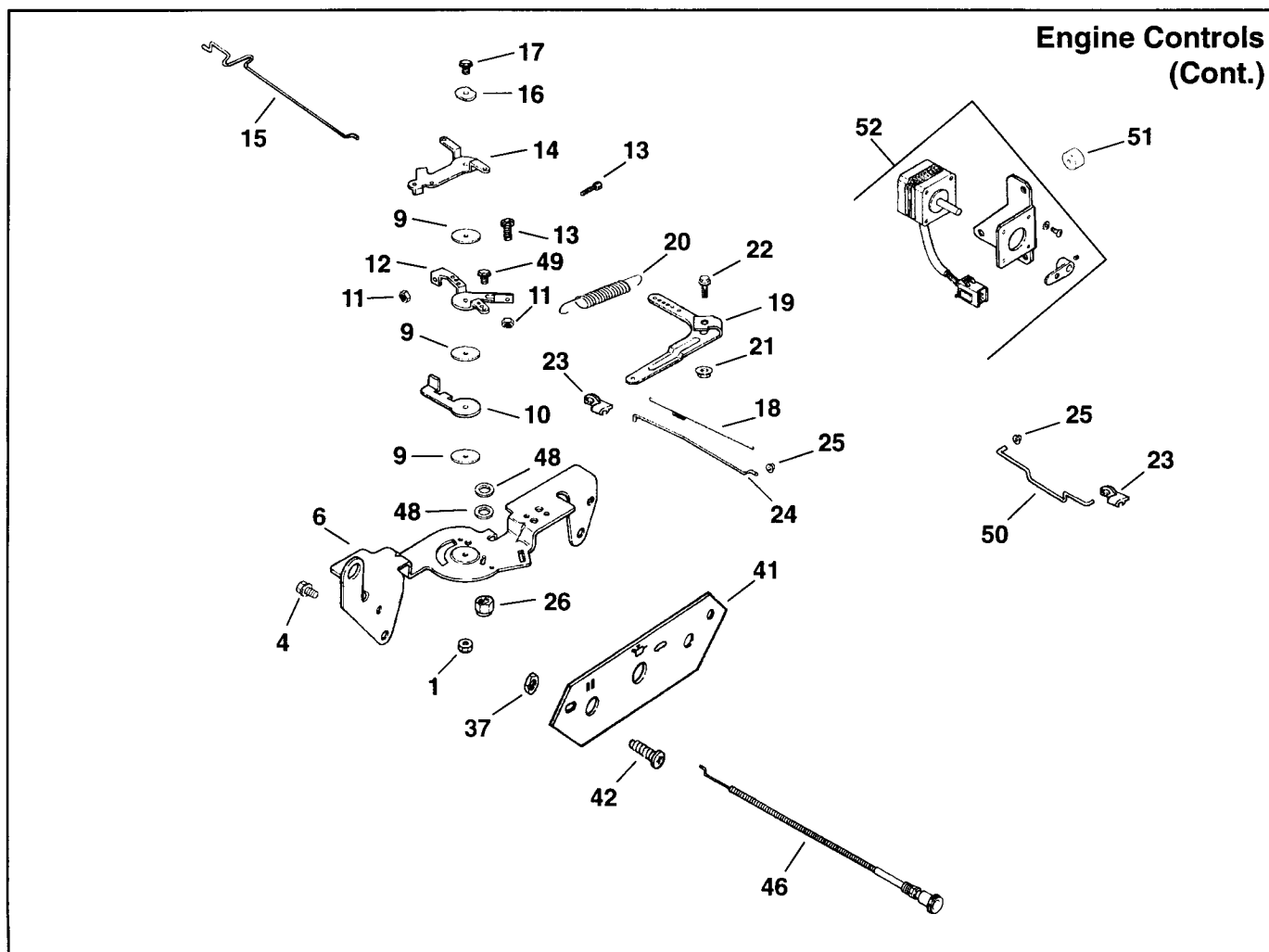
<b>Index Number</b>	<b>Description Variation Number</b>	<b>Part Number</b>	<b>Index Number</b>	<b>Description Variation Number</b>	<b>Part Number</b>
10	<b>Lever, throttle actuator</b> 1,2,7,9,12,13,16,17,20,22,25,26, 27,28,29,30,31,32,34,43,44,51, 201	24 090 07	23	<b>Bushing, linkage – black</b> 1,2,7,9,12,13,15,16,17,20,22,25, 26,27,28,29,30,31,32,33,34,43, 44,46,51,52,53,201	25 158 11
11	<b>Nut, hex. flange M4x0.7 (2)</b> 1,2,7,17,22,26,27,28,30	M-0446030	24	<b>Linkage, throttle</b> 1,2,7,9,12,13,15,16,17,20,22,25, 26,27,28,29,30,31,32,33,34,43, 44,46,51,52,201	24 079 01
11	<b>Nut, hex. flange M4x0.7</b> 9,12,13,16,20,25,29,31,32,34,43, 44,51,201	M-0446030	25	<b>Bushing, linkage – natural</b> 1,2,7,9,12,13,15,16,17,20,22,25, 26,27,28,29,30,31,32,33,34,43, 44,46,51,52,53,201	25 158 08
12	<b>Lever, throttle control</b> 1,7,9,12,13,16,17,20,22,25,27,28, 29,30,31,32,34,43,44,51,201	24 090 03	26	<b>Nut, hex. M6x1.0</b> 7,9,13,16,20,22,25,27,28,30,31, 32,43,44,51	M-0647060
12	<b>Lever, throttle control</b> 2,26	24 090 13	27	<b>Spacer</b> 7,9,13,20,22,25,27,30,31,32,43,44	12 112 01
13	<b>Screw, hex. cap M4x0.7x30 (2)</b> 1,2,7,9,12,13,16,17,20,22,25,26, 27,28,29,30,31,32,34,43,44,51, 201	M-0401030	28	<b>Tab, locking</b> 7,9,13,20,22,25,27,30,31,32,43,44	52 448 02
14	<b>Lever, choke</b> 1,2,7,9,12,13,16,17,20,22,25,26, 27,28,29,30,31,32,34,43,44,51, 201	24 090 05	29	<b>Washer, wave (2)</b> 7,9,13,20,22,25,27,30,31,32,43,44	24 468 03
15	<b>Linkage, choke</b> 1,2,7,9,12,13,16,17,20,22,25,26, 27,28,29,30,31,32,33,43,44,51, 52,201	24 079 02	30	<b>Washer, plain 6 mm</b> 7,9,13,20,22,25,27,30,31,32,43,44	M-0631005
16	<b>Washer, wave</b> 1,2,7,9,12,13,16,17,20,22,25,26, 27,28,29,30,31,32,34,43,44,51, 201	41 468 03	31	<b>Bracket, speed control shaft</b> 7,9,13,20,22,25,27,30,31,32,43,44	24 126 06
17	<b>Screw, hex. flange M5x0.8x20</b> 1,2,7,9,12,13,16,17,20,22,25,26, 27,28,29,30,31,32,34,43,44,51, 201	SM-0545020	32	<b>Screw, hex. flange M5x0.8x10 (2)</b> 7,9,13,20,22,25,30,31,32,43,44	M-0545010
18	<b>Spring, linkage</b> 1,2,7,9,12,13,15,16,17,20,22,25, 26,27,28,29,30,31,32,33,34,43, 44,46,51,52,201	24 089 01	32	<b>Screw, hex. flange M5x0.8x10</b> 27	M-0545010
19	<b>Lever, governor</b> 1,2,7,9,12,13,15,16,17,20,22,25, 26,27,28,29,30,31,32,33,34,43, 44,46,51,52,201	24 090 14	33	<b>Washer, plain 3/8"</b> 7,9,13,20,22,25,27,30,31,32,43,44	X-25-37
20	<b>Spring, governor</b> 1,2,7,12,13,15,16,20,22,25,26, 27,29,30,31,32,33,34,43,44,201	24 089 15	34	<b>Spacer</b> 7,9,13,15,20,22,25,27,30,31,32, 43,44,46,52	25 431 01
20	<b>Spring, governor</b> 9,17,28,51,52	24 089 18	35	<b>Lever, speed control shaft</b> 7,9,13,20,22,25,27,30,31,32,43,44	24 090 06
20	<b>Spring, governor</b> 46	24 089 25	36	<b>Linkage, speed control</b> 7,9,13,20,22,25,27,30,31,32,43,44	24 079 03
21	<b>Nut, hex. flange M6x1.0</b> 1,2,7,9,12,13,16,17,20,22,25,26, 28,29,30,31,32,33,34,43,44,51, 52,201	M-0641060	37	<b>Nut, hex. 3/8-24</b> 7,9,13,16,20,22,25,27,30,31,32, 34,43,44,52	X-83-4
21	<b>Nut, hex. flange M6x1.0 (2)</b> 15,27,46	M-0641060	38	<b>Washer, plain 1/4"</b> 7,9,13,20,22,25,27,28,30,31,32, 43,44	X-25-63
22	<b>Screw, hex. cap M6x1.0x25</b> 1,2,7,9,12,13,15,16,17,20,22,25, 26,27,28,29,30,31,32,33,34,43, 44,46,51,52,201	M-0642025	39	<b>Connector</b> 20,25,27,32	277563
			40	<b>Connector</b> 20,32,201	15 155 01
			40	<b>Connector</b> (Use before Serial No. 2311300017) 25	15 155 01
			41	<b>Panel, control</b> 7,9,13,16,20,22,25,27,28,30,31, 32,34,43,44,52	24 378 01
			42	<b>Screw, phillips 11-16x3/4" (2)</b> 7,9,13,16,20,22,25,27,28,30,31, 32,34,43,44,52	24 086 06



# CH18-25

## Engine Controls (Cont.)

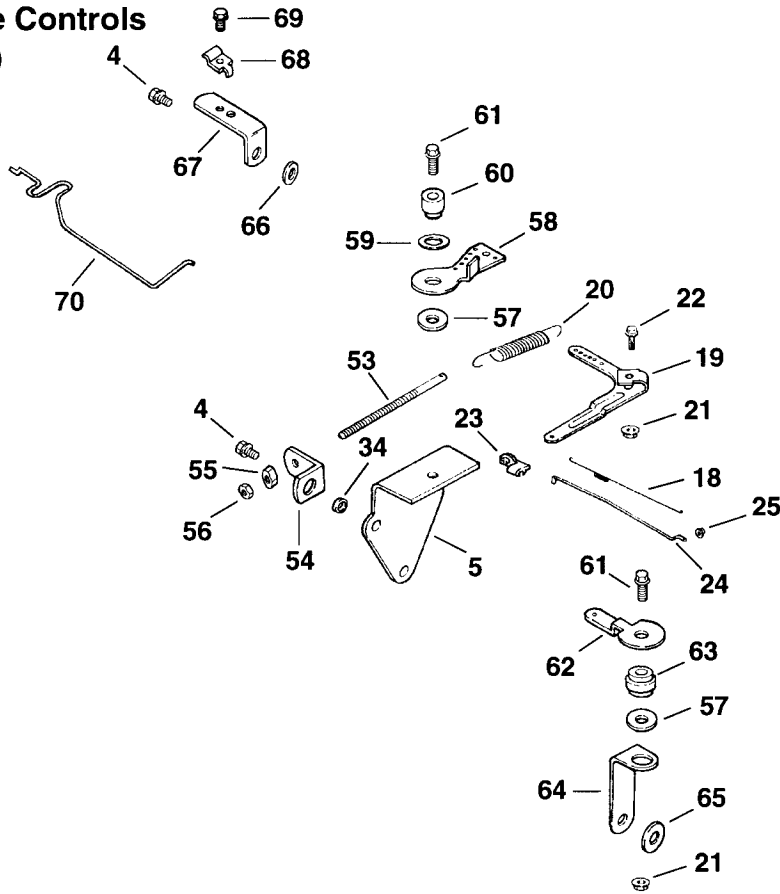
Index Number	Description Variation Number	Part Number	Index Number	Description Variation Number	Part Number
43	<b>Kit, speed control shaft w/knob</b> (Includes 26,27,29,33,34,44,45) (Use before Serial No. 2406300017; after Serial No. 2406300007 or after installation of kit, individual marked* components may be ordered for replacement) 7,9,13,20,22,25,27,30,31,32, 43,44	24 755 48	45	<b>Knob, speed control</b> 7,9,13,20,22,25,27,30,31,32, 43,44	24 341 02*
44	<b>Shaft, speed control</b> 7,9,13,20,22,25,27,30,31,32, 43,44	24 144 20*	46	<b>Cable, choke</b> 7,9,13,16,20,22,25,27,28,30,31, 32,34,43,44,52	24 225 01
			47	<b>Light, indicator</b> 20,25,32,201	25 352 10



Index Number	Description Variation Number	Part Number	Index Number	Description Variation Number	Part Number
48	<b>Washer, plain 9 mm (2)</b> 16,28,51	M-0931010	51	<b>Spacer (3)</b> 53	25 112 09
49	<b>Screw, hex. flange M6x1.0x12</b> 16,28,51	M-0650012	52	<b>Governor</b> 53	24 310 02
50	<b>Linkage, throttle</b> 53	24 079 09			

# CH18-25

## Engine Controls (Cont.)

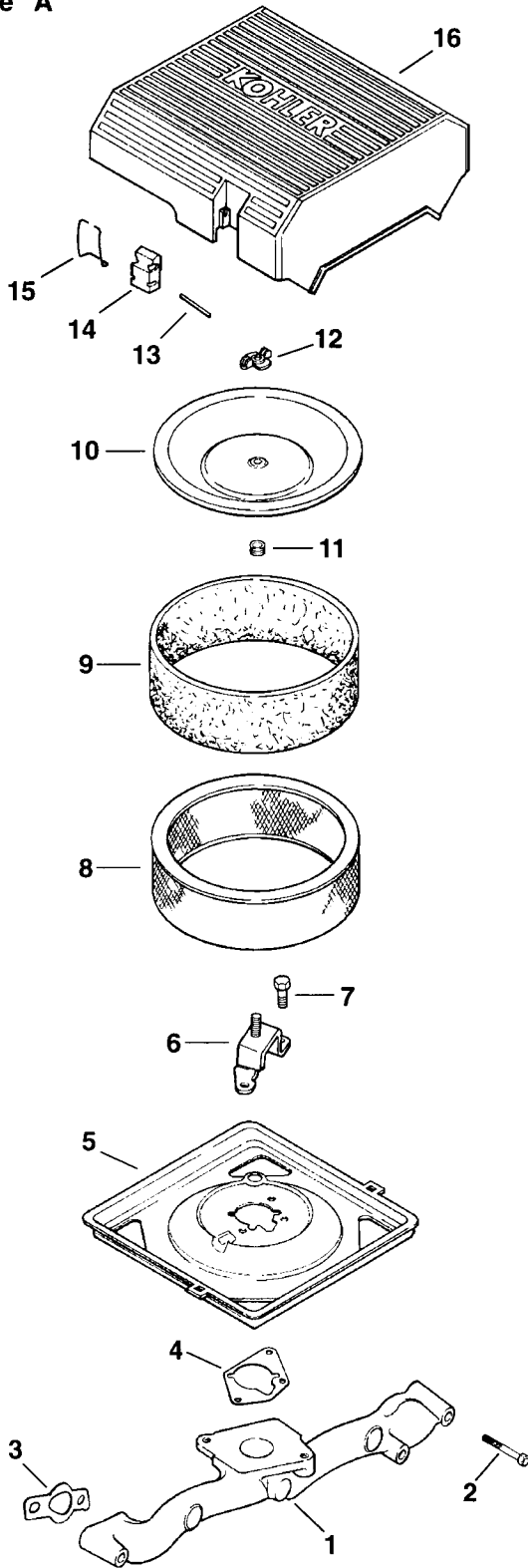


Index Number	Description Variation Number	Part Number	Index Number	Description Variation Number	Part Number
53	Rod, speed control 15,46,52	24 411 03	66	Washer, lock 1/4" 15,46	X-22-12
54	Bracket, adjusting screw 15,46,52	47 126 32	67	Bracket, cable 15,46	52 126 02
55	Nut, adjusting 15,46,52	25 100 06	68	Clamp, cable 15,46	235778
56	Nut, hex. 10-32 15,46,52	X-70-3	69	Screw, sems hex. cap 10-24x13/32" 15,46	X-67-97
57	Washer, plain 3/8" 15,46,52	X-25-41	70	Linkage, choke 15,46	24 079 05
58	Lever, choke 52	47 090 10	<b>Not Illustrated</b>		
59	Washer, spring 3/8" 15,46,52	275690	<b>Lead, black, oil light</b> (15" - 14 gauge - terminals: 2 uninsulated push on tab) 20,32,201		
60	Spacer 52	236415	<b>Lead, black, oil light</b> (15" - 14 gauge - terminals: 2 uninsulated push on tab) (Use before Serial No. 2311300017) 25		
61	Screw, hex. flange M6x1.0x25 15,46,52	M-0645025	<b>Switch, key</b> (Not supplied by Kohler Co., contact Original Equipment Manufacturer) 27		
62	Lever, choke control 15,46	47 090 06			
63	Spacer 15,46	47 112 19			
64	Strap, hanging 15,46	47 445 02			
65	Washer, lock #6 15,46	X-22-16			

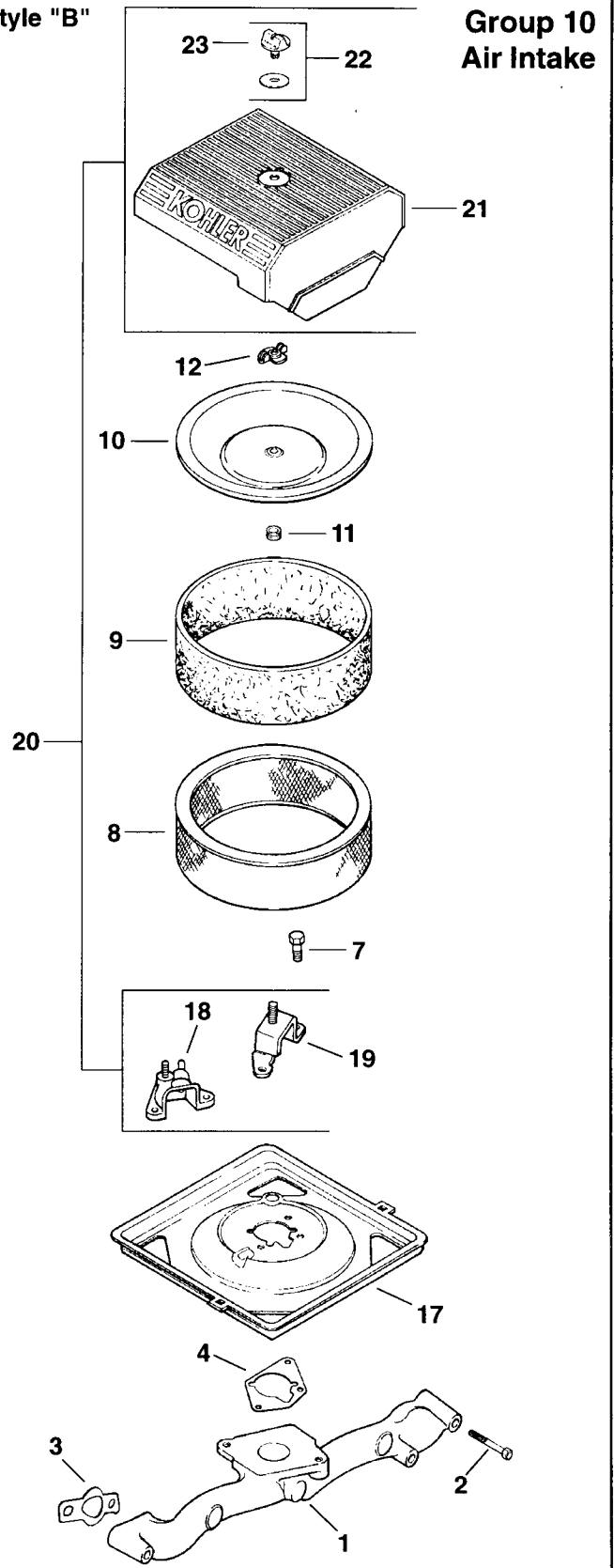
**NOTE:** For decals, see Accessories Catalog E-1953-A.

# CH18-25

## Style "A"



## Style "B"



Index Number	Description Variation Number	Part Number	Index Number	Description Variation Number	Part Number
<p><b>The design of the air intake system has gone through a series of changes. Refer to Style "A" and "B" and order parts according to design used on engine.</b></p>			11	<b>Seal, inner – air cleaner</b> 1,2,11,15,20,200,201,203	24 032 03
1	<b>Manifold, intake</b> 1,2,5,7,8,9,11,12,15,17,21,26,27, 28,200,201,202,203,204,205,206	24 164 14	11	<b>Seal, inner – air cleaner</b> (Use before Serial No. 2313700017) 202	24 032 03
2	<b>Screw, hex. flange M6x1.0x55 (4)</b> 1,2,5,7,8,9,11,12,15,17,20,21,26, 27,28,200,201,202,203,204,205, 206	M-0639055	12	<b>Nut, wing</b> 1,2,7,9,11,15,17,20,27,200,201, 203,204,205,206	12 100 01
3	<b>Gasket, intake manifold (2)</b> 1,2,5,7,8,9,11,12,15,17,20,21,26, 27,28,200,201,202,203,204,205, 206	24 041 01	12	<b>Nut, wing (2)</b> 5,12,21,26,28	12 100 01
4	<b>Gasket, air cleaner base</b> 1,2,5,7,8,9,11,12,15,17,21,26,27, 28,200,201,202,203,204,205,206	24 041 06	12	<b>Nut, wing</b> (Before Serial No. 2313700017 use qty. 1, after Serial No. 2313700007 use qty. 2) 202	12 100 01
5	<b>Base, air cleaner</b> 1,2,11,15,200,201,203	24 094 03	13	<b>Pin, latch lever (2)</b> (Use before Serial No. 2422900017) 11,200,201,203,204,205	24 380 03
5	<b>Base, air cleaner</b> (Replaced by 24 094 11) 9,204,205	24 094 04	13	<b>Pin, latch lever (2)</b> (Use before Serial No. 2313700017) 202	24 380 03
5	<b>Base, air cleaner</b> (Use before Serial No. 2313700017) 202	24 094 03	14	<b>Latch, lever (2)</b> (Use before Serial No. 2422900017) 11,200,201,203,204,205	24 344 01
6	<b>Bracket, air cleaner (20 mm stud)</b> (Use before Serial No. 2422900017) 11,200,201,203	24 126 23	14	<b>Latch, lever (2)</b> (Use before Serial No. 2313700017) 202	24 344 01
6	<b>Bracket, air cleaner</b> (Use before Serial No. 2313700017) 202	24 126 23	15	<b>Spring, latch (2)</b> (Use before Serial No. 2422900017) 11,200,201,203,204,205	24 089 04
7	<b>Screw, hex. flange M6x1.0x16 (3)</b> 1,2,5,11,12,15,21,26,27,28,200, 201,202,203	M-0639016	15	<b>Spring, latch (2)</b> (Use before Serial No. 2313700017) 202	24 089 04
7	<b>Screw, hex. flange M6x1.0x16 (3)</b> (Use after Serial No. 2434800007) 206	M-0639016	16	<b>Cover, air cleaner</b> (Use before Serial No. 2422900017, for reference only, no longer available separately. Replaced by 24 743 08.) 11	24 096 18
7	<b>Screw, hex. flange M6x1.0x16 (3)</b> 7,9,17,204,205	M-0645016	16	<b>Cover, air cleaner</b> (Use before Serial No. 2422900017, for reference only, no longer available separately. Replaced by 24 743 05.) 200,204	24 096 03
8	<b>Element, air cleaner</b> 1,2,5,11,12,15,20,21,26,28,200, 201,202,203	47 083 03	16	<b>Cover, air cleaner</b> (Use before Serial No. 2422900017, for reference only, no longer available separately. Replaced by 24 743 06.) 201,203	24 096 08
8	<b>Element, air cleaner</b> 7,9,17,204,205	24 083 03	16	<b>Cover, air cleaner</b> (Use before Serial No. 2313700017, for reference only, no longer available separately. Replaced by 24 743 05.) 202	24 096 03
9	<b>Element, precleaner</b> 1,2,5,11,12,15,20,21,26,27,28, 200,201,202,203	24 083 02			
9	<b>Element, precleaner</b> 7,9,17,204,205	24 083 05			
9	<b>Element, precleaner</b> (Use before Serial No. 2434800017) 206	24 083 05			
10	<b>Cover, inner air cleaner</b> 1,2,5,7,9,11,12,15,17,20,21,26,27, 28,200,201,202,203,204,205,206	24 096 01			

# CH18-25

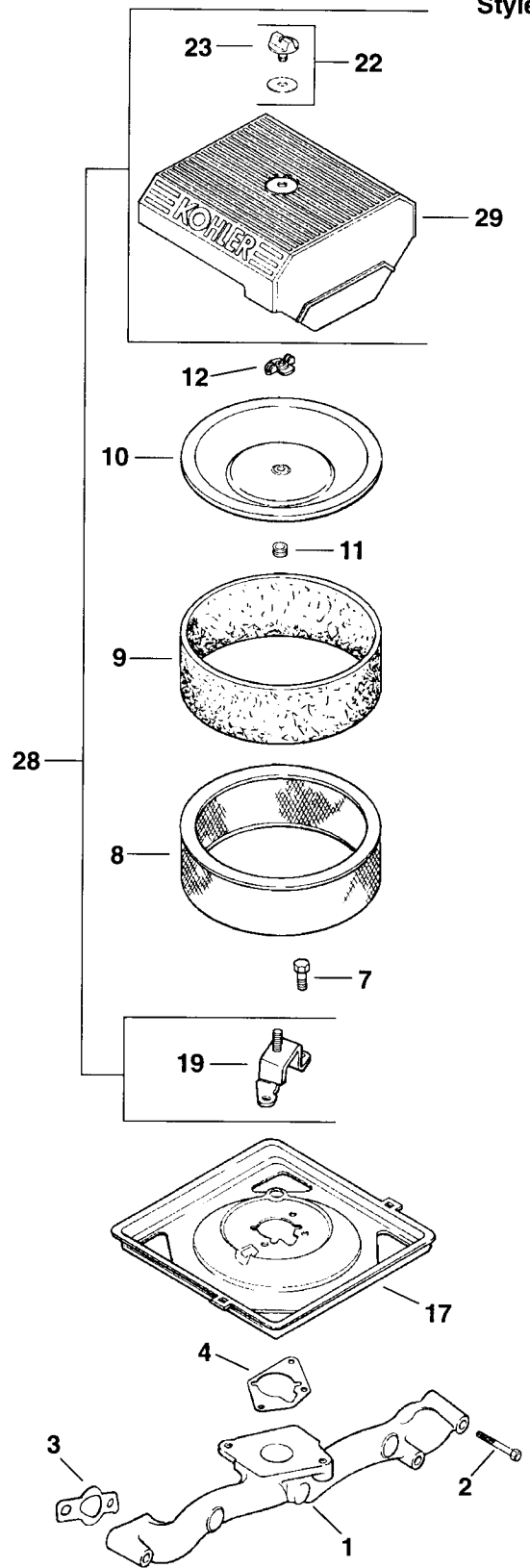
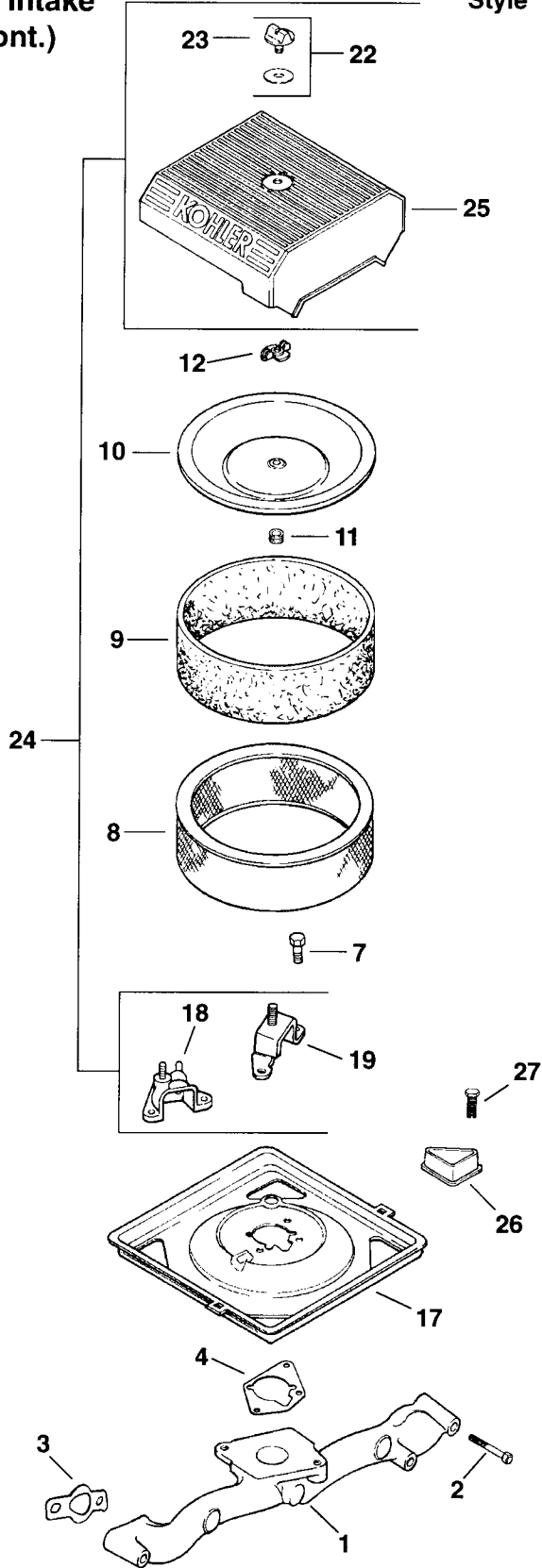
## Air Intake (Cont.)

Index Number	Description Variation Number	Part Number	Index Number	Description Variation Number	Part Number
17	<b>Base, air cleaner</b> 7,17	24 094 11	20	<b>Kit, air cleaner cover</b> (Includes 18,19,21-23)	
18	<b>Cup, fuel spitback</b> (27.5 mm stud CV18-25) 1,2,7,9,17,200,201	24 109 03		(Use before Serial No. 2422900017; after Serial No. 2422900007, or after installation of kit, individual kit components may be ordered for replacement)	
18	<b>Cup, fuel spitback</b> (27.5 mm stud CV18-25) (Use before Serial No. 2313700017) 202	24 109 03		200,204	24 743 05
19	<b>Bracket, air cleaner</b> (30 mm stud CH18-22) 1,2,15,200,201,203	24 126 21	20	<b>Kit, air cleaner cover</b> (Includes 18,19,21-23) (Use before Serial No. 2313700017) 202	24 743 05
19	<b>Bracket, air cleaner</b> (40 mm stud CH25) 7,9,17,204,205	24 126 43	21	<b>Cover, air cleaner</b> 1,7,9,17,20,200,204	24 096 24
19	<b>Bracket, air cleaner</b> (30 mm stud CH18-22) (Use after Serial No. 2422900007) 11	24 126 21	21	<b>Cover, air cleaner</b> (Use before Serial No. 2313700017) 202	24 096 24
19	<b>Bracket, air cleaner</b> (30 mm stud CH18-22) (Use before Serial No. 2313700017) 202	24 126 21	22	<b>Kit, air cleaner knob w/gasket</b> (Includes 23) 1,2,7,9,11,15,17,20,200,201,202, 203,204,205	24 755 91
19	<b>Bracket, air cleaner</b> (40 mm stud CH25) (Use before Serial No. 2434800017) 206	24 126 43	23	<b>Knob, air cleaner cover</b> 1,7,9,15,17,20,200,201,203,204, 205	25 341 02
20	<b>Kit, air cleaner cover</b> (Includes 18,19,21-23) 1,9	24 743 05	23	<b>Knob, air cleaner cover</b> (Use after Serial No. 2422900007) 11	25 341 02
			23	<b>Knob, air cleaner cover</b> (Use before Serial No. 2313700017) 202	25 341 02
			23	<b>Knob, air cleaner cover</b> (Use before Serial No. 2434800017) 206	25 341 02

Air Intake  
(Cont.)

Style "B"

Style "B"



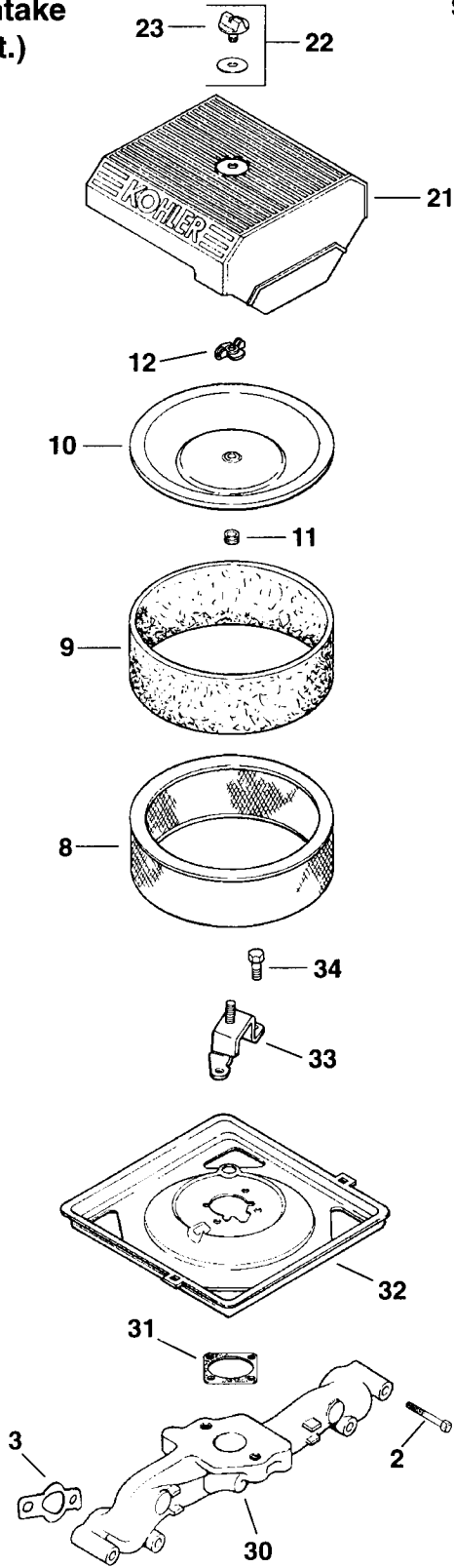
**CH18-25**

**Air Intake  
(Cont.)**

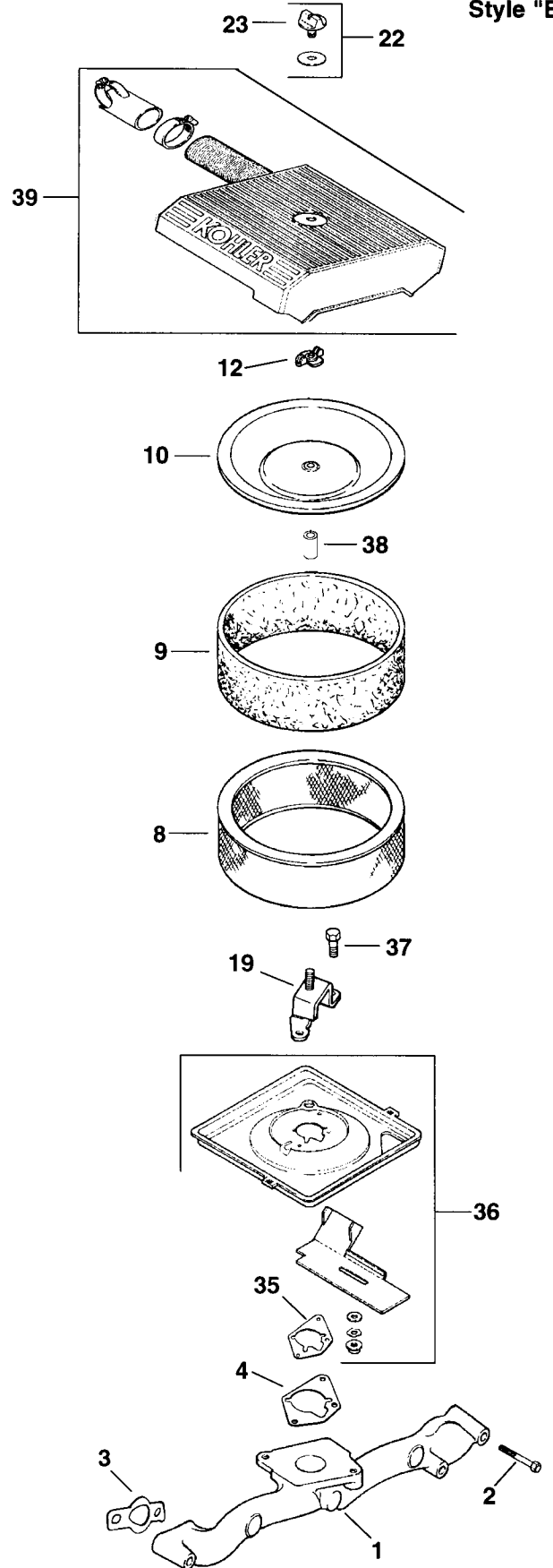
<b>Index Number</b>	<b>Description Variation Number</b>	<b>Part Number</b>	<b>Index Number</b>	<b>Description Variation Number</b>	<b>Part Number</b>
24	<b>Kit, air cleaner cover</b> (Includes 18,19,22,23,25) 2,7,15,17	24 743 06	26	<b>Cover, blower housing</b> (Use after Serial No. 2434800007) 206	24 096 17
24	<b>Kit, air cleaner cover</b> (Includes 18,19,22,23,25) (Use before Serial No. 2422900017; after Serial No. 2422900007, or after installation of kit, individual kit components may be ordered for replacement) 201,203,205	24 743 06	27	<b>Screw, sems hex. cap 10-16x1/2" (2)</b> 8,12,17,26,28	X-67-3
25	<b>Cover, air cleaner</b> 2,7,15,17,201,203,205	24 096 26	27	<b>Screw, sems hex. cap 10-16x1/2"</b> 15,27	X-67-3
26	<b>Cover, blower housing</b> 8,12,15,17,26,27,28	24 096 17	27	<b>Screw, sems hex. cap 10-16x1/2" (2)</b> (Use after Serial No. 2434800007) 206	X-67-3
26	<b>Cover, blower housing</b> (Use after Serial No. 2411000017) 203	24 096 17	28	<b>Kit, air cleaner cover</b> (Includes 19,22,23,29) (Use after Serial No. 2422900007) 11	24 743 08
			29	<b>Cover, air cleaner</b> 11	24 096 31

**Air Intake  
(Cont.)**

Style "B"



Style "B"





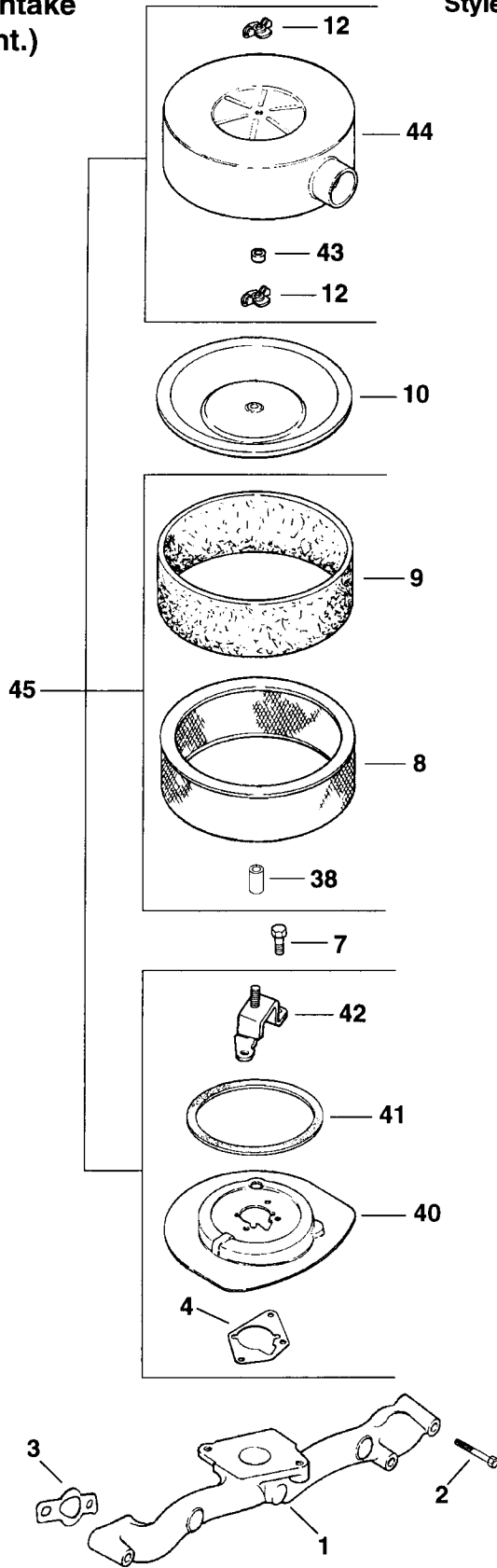
CH18-25

Air Intake  
(Cont.)

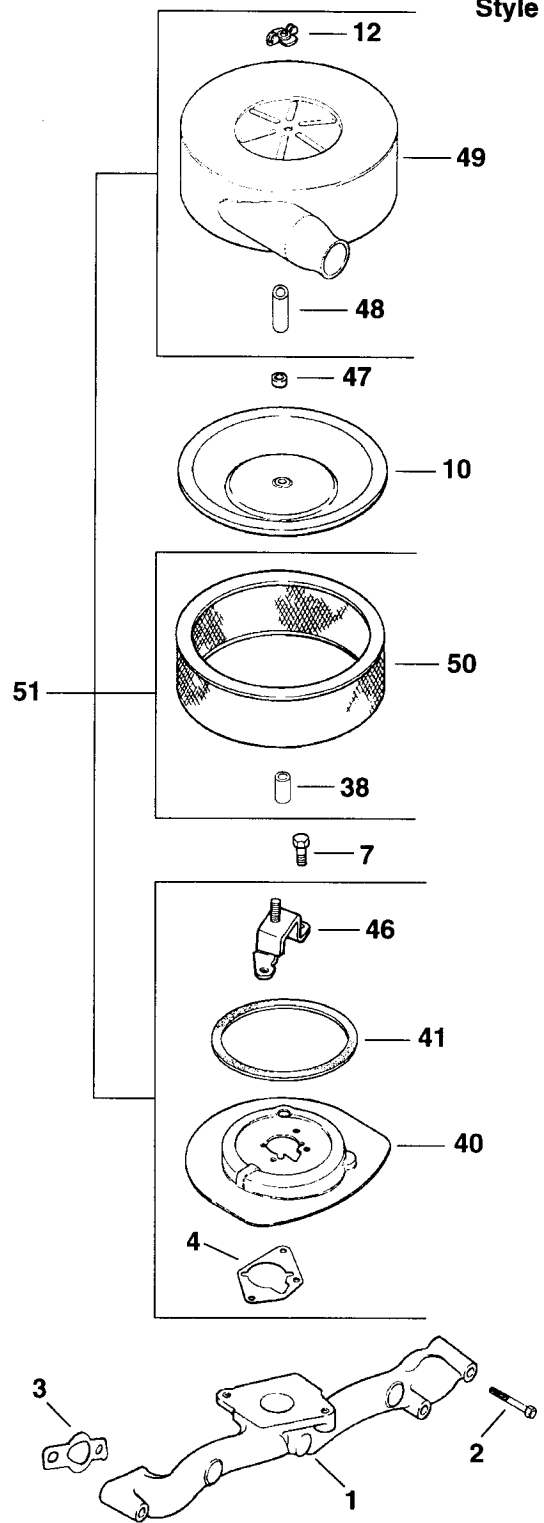
Index Number	Description Variation Number	Part Number	Index Number	Description Variation Number	Part Number
30	Manifold, intake 20	24 164 18	36	Base assembly, air cleaner (Use before Serial No. 2434800017) 206	24 094 09
31	Gasket, air cleaner (3) 20	277093	37	Screw, hex. flange M6x1.0x20 (3) (Use before Serial No. 2434800017) 206	M-0645020
32	Base, air cleaner 20	24 094 12	38	Seal, breather 5,7,9,12,17,21,26,28,57,204,205, 206	230046
33	Bracket, air cleaner (30 mm stud) 20	24 126 49	38	Seal, breather (Use after Serial No. 2313700007) 202	230046
34	Screw, hex. cap 10-32x1/2" (4) 20	X-97-2	39	Cover assembly, air cleaner (Use before Serial No. 2434800017) 206	24 096 29
35	Spacer, air cleaner (Use before Serial No. 2434800017) 206	24 112 06			

**Air Intake  
(Cont.)**

Style "B"



Style "B"



# CH18-25

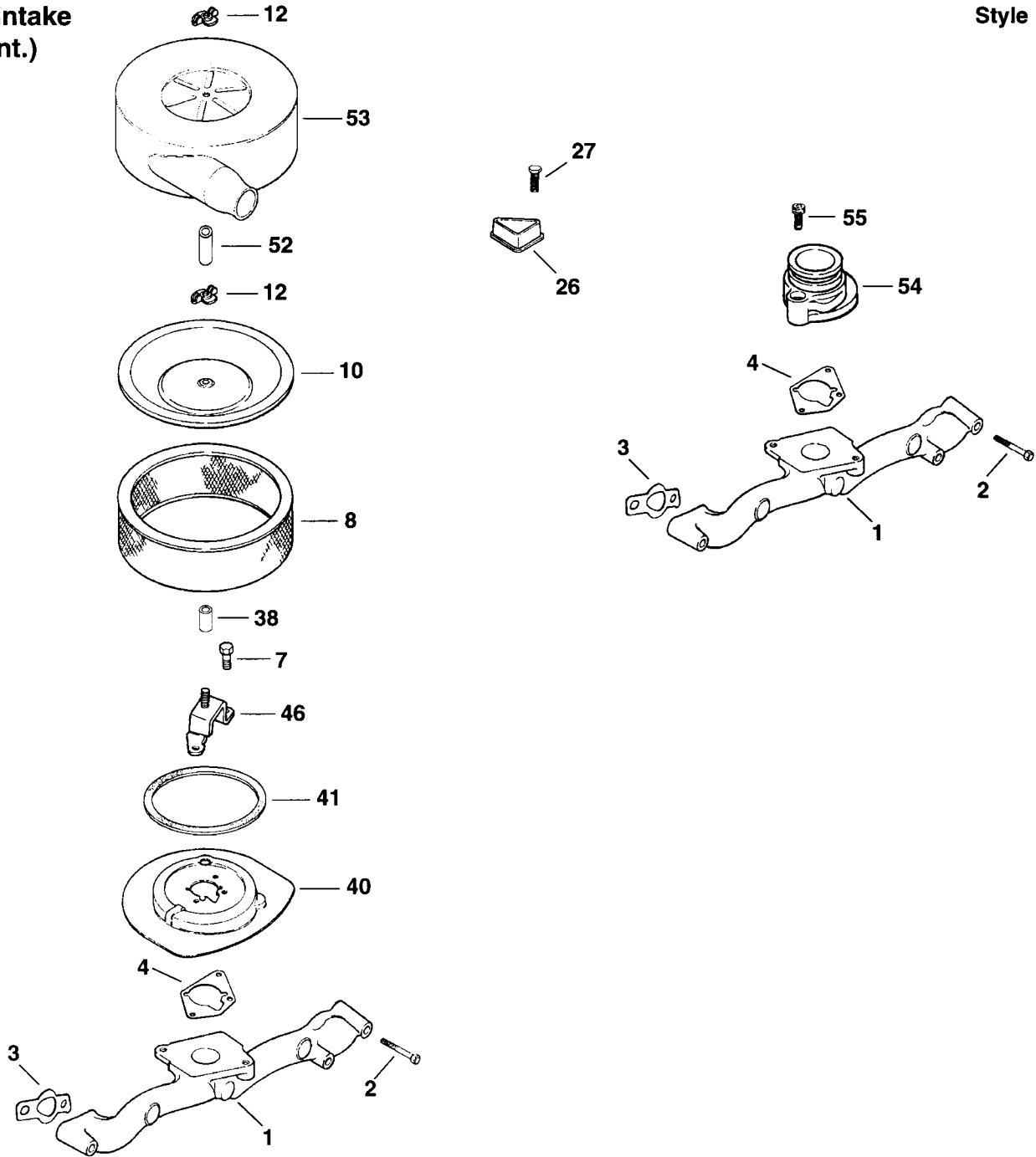
## Air Intake (Cont.)

Index Number	Description Variation Number	Part Number	Index Number	Description Variation Number	Part Number
40	<b>Base, air cleaner</b> 5,12,21,26,27,28	24 094 05	45	<b>Kit, dome style air cleaner</b> (Includes 4,8,9,12,38,40-44)	
40	<b>Base, air cleaner</b> (Use after Serial No. 2313700007) 202	24 094 05		(Use after Serial No. 2313700007) 202	24 755 21
40	<b>Base, air cleaner</b> (Use after Serial No. 2434800007) 206	24 094 05	46	<b>Bracket, air cleaner (80 mm stud)</b> 27	24 126 50
41	<b>Seal, air cleaner</b> (Use after Serial No. 2313700007) 5,12,26,27	24 032 07	46	<b>Bracket, air cleaner (80 mm stud)</b> (Use after Serial No. 2434800007) 206	24 126 50
41	<b>Seal, air cleaner</b> 21,28	24 032 07	47	<b>Nut, hex. flange M6x1.0</b> 27	M-0641060
41	<b>Seal, air cleaner</b> (Use after Serial No. 2434800007) 206	24 032 07	47	<b>Nut, hex. flange M6x1.0</b> (Use after Serial No. 2434800007) 206	M-0641060
42	<b>Bracket, air cleaner (45 mm stud)</b> 5,12,21,26,28	24 126 22	48	<b>Seal</b> 27	24 032 08
42	<b>Bracket, air cleaner (45 mm stud)</b> (Use after Serial No. 2313700007) 202	24 126 22	48	<b>Seal</b> (Use after Serial No. 2434800007) 206	24 032 08
43	<b>Seal, insert</b> 5,12,21,26	41 032 02	49	<b>Cover, air cleaner</b> 27	24 096 33
43	<b>Seal, insert</b> (Use after Serial No. 2313700007) 202	41 032 02	49	<b>Cover, air cleaner</b> (Use after Serial No. 2434800007) 206	24 096 33
44	<b>Cover, air cleaner</b> 5,12,21,26	24 096 10	50	<b>Element, air cleaner</b> 27,206	24 083 03
44	<b>Cover, air cleaner</b> (Use after Serial No. 2313700007) 202	24 096 10	51	<b>Kit, plenum air cleaner cover</b> (Includes 4,12,38,40,41,46,48-50) 27	24 743 12
45	<b>Kit, dome style air cleaner</b> (Includes 4,8,9,12,38,40-44) 5,12,21,26	24 755 21	51	<b>Kit, plenum air cleaner cover</b> (Includes 4,12,38,40,41,46,48-50) (Use after Serial No. 2434800007) 206	24 743 12

# CH18-25

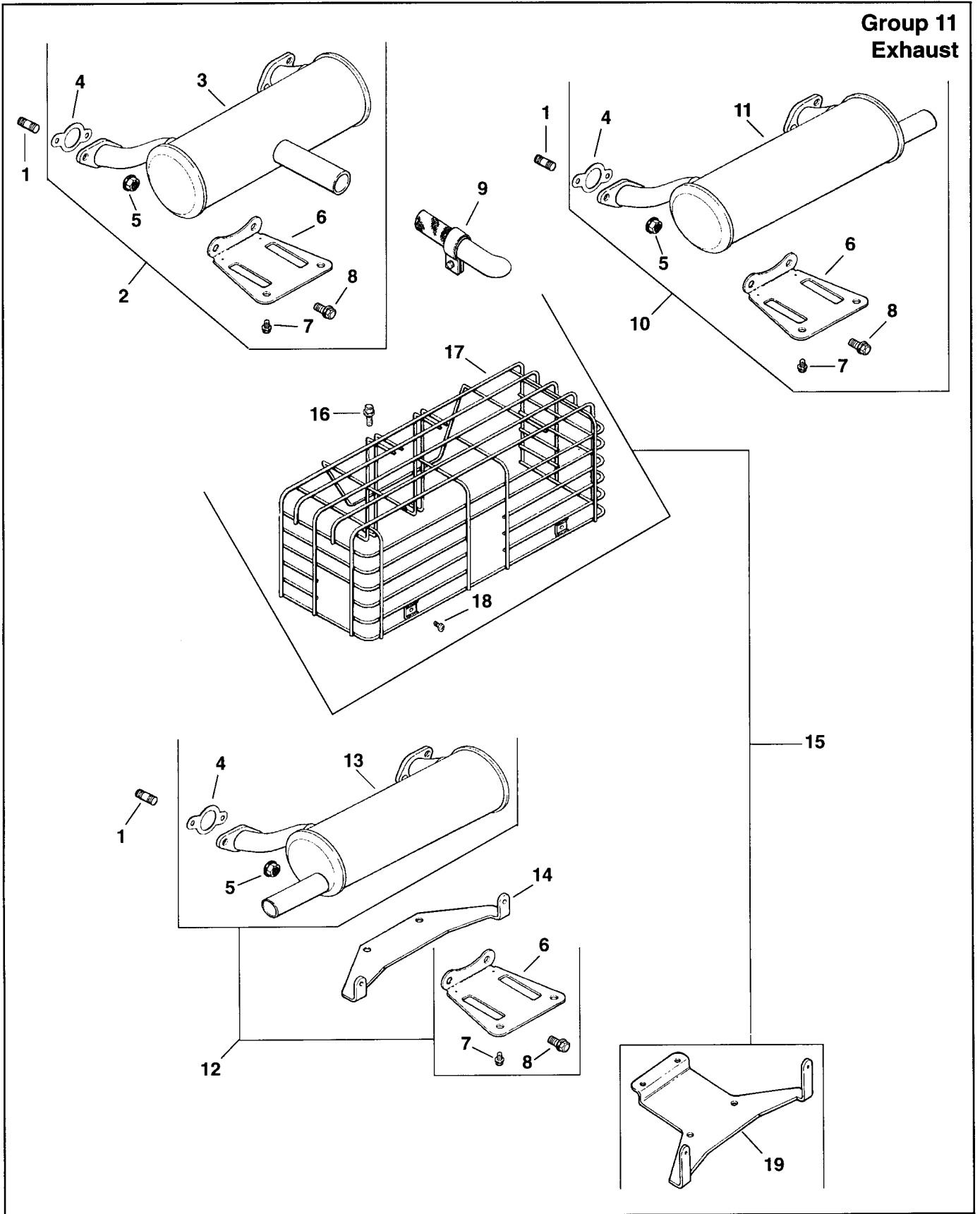
## Air Intake (Cont.)

Style "B"



Index Number	Description Variation Number	Part Number	Index Number	Description Variation Number	Part Number
52	Seal, breather 28	231032	54	Adapter, remote air intake 8	24 029 14
53	Cover, air cleaner 28	24 096 34	55	Screw, hex. socket cap M6x0.8x25 (2) 8	M-0644025

Group 11  
Exhaust



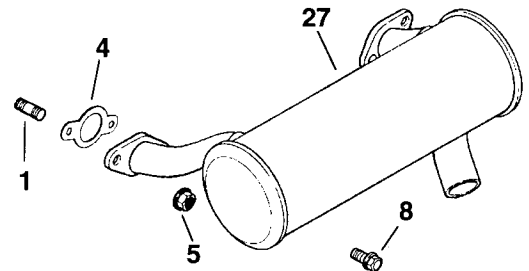
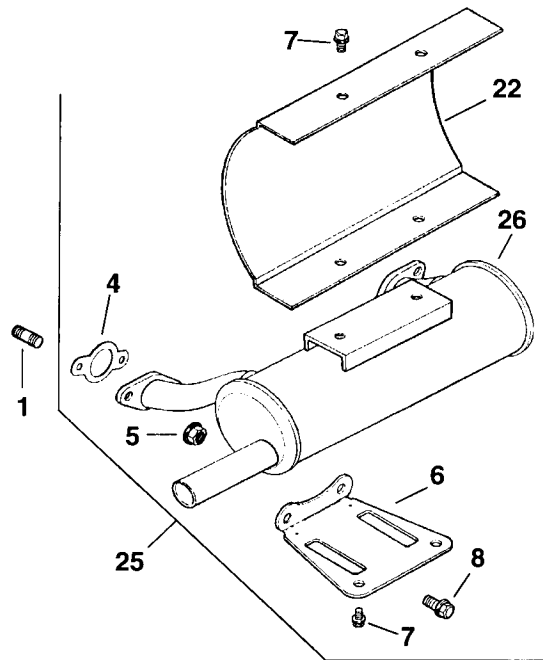
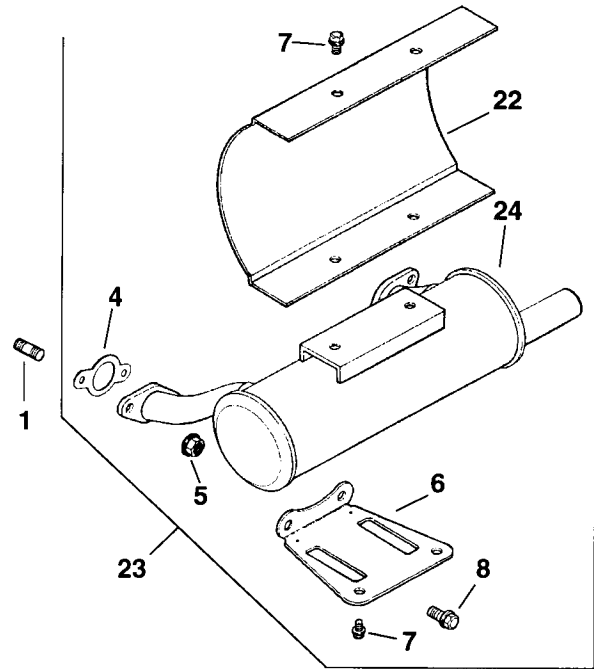
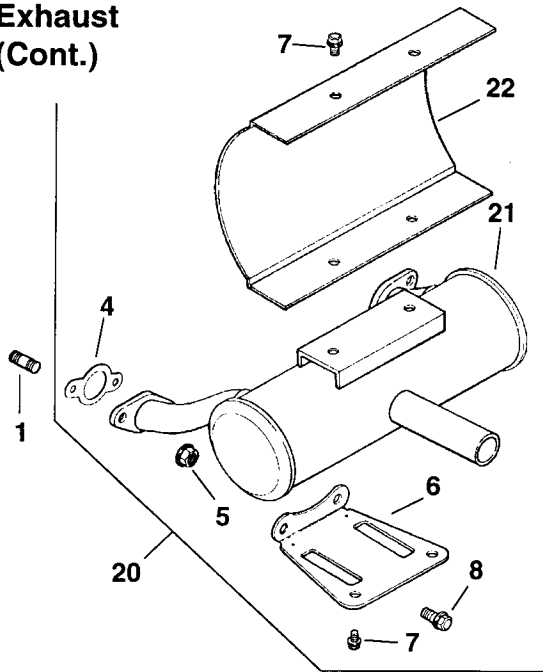
Index Number	Description Variation Number	Part Number	Index Number	Description Variation Number	Part Number
1	<b>Stud, exhaust M8x1.25x33 (4)</b> 1,3,5,6,7,8,9,11,14,19,20,29,30,33, 35,36,39,40,41,42,43,44,45,48,50, 200,201,202,203,204,205,206,207, 208,209,210,211,212,213,214,215, 216,217,218,219,220,221	M-0829033	7	<b>Screw, hex. flange M6x1.0x12 (4)</b> 40,221	M-0650012
2	<b>Kit, low mount muffler – center outlet</b> (Includes 3-8) 1,44,204	24 786 04	7	<b>Screw, hex. flange M6x1.0x12 (2)</b> (Use before Serial No. 2313400017) 48	M-0650012
2	<b>Kit, low mount muffler – center outlet</b> (Includes 3-8) (Use before Serial No. 2231500017) 208	24 786 04	8	<b>Screw, hex. flange M8x1.25x20 (2)</b> 1,5,7,14,19,33,35,36,39,40,42,43, 44,48,50,202,204,205,206,207, 208,210,211,212,213,214,216, 219,220,221	M-0839020
2	<b>Kit, low mount muffler – center outlet</b> (Includes 3-8) (Use before Serial No. 2302700017) 212	24 786 04	8	<b>Screw, hex. flange M8x1.25x20</b> 9	M-0839020
3	<b>Muffler, canister – center outlet</b> 1,44,204,206,210,214	24 068 05	8	<b>Screw, hex. flange M8x1.25x20 (2)</b> (Use after Serial No. 2311800007) 209	M-0839020
3	<b>Muffler, canister – center outlet</b> (Use before Serial No. 2231500017) 208	24 068 05	8	<b>Screw, hex. flange M8x1.25x20 (2)</b> (Use after Serial No. 2434800007) 217	M-0839020
3	<b>Muffler, canister – center outlet</b> (Use before Serial No. 2303700017) 212	24 068 05	9	<b>Arrestor, spark</b> 204,219	24 189 01
4	<b>Gasket, exhaust (2)</b> 1,5,6,7,8,9,11,14,19,20,29,33,35, 36,39,40,41,42,43,44,45,48,50, 200,201,202,204,205,206,207,208, 209,210,211,212,213,214,215,216, 218,219,220,221	24 041 02	10	<b>Kit, low mount muffler – oil filter side #2 outlet</b> (Includes 4-8,11) 5	24 786 05
4	<b>Gasket, exhaust (3)</b> 30	24 041 02	10	<b>Kit, low mount muffler – oil filter side #2 outlet</b> (Includes 4-8,11) (Use before Serial No. 2313400017) 48	24 786 05
4	<b>Gasket, exhaust (2)</b> (Use after Serial No. 2434800007) 217	24 041 02	10	<b>Kit, low mount muffler – oil filter side #2 outlet</b> (Includes 4-8,11) (Use after Serial No. 2231500007) 208	24 786 05
5	<b>Nut, hex. flange M8x1.25 (4)</b> 1,5,6,7,8,9,11,14,19,20,29,30,33, 35,36,39,40,41,42,43,44,45,48,50, 200,201,202,204,205,206,207,208, 209,210,211,212,213,214,215,216, 218,219,220,221	M-0841080	11	<b>Muffler, canister – oil filter outlet</b> 5	24 786 05
5	<b>Nut, hex. flange M8x1.25 (4)</b> (Use after Serial No. 2434800007) 217	M-0841080	11	<b>Muffler, canister – oil filter outlet</b> (Use before Serial No. 2313400017) 48	24 068 07
6	<b>Bracket, muffler</b> 1,5,7,14,33,35,36,40,42,43,44,204, 206,207,208,210,212,214,216,219, 220,221	24 126 12	11	<b>Muffler, oil filter outlet</b> (Use after Serial No. 2231500007) 208	24 068 07
6	<b>Bracket, muffler</b> (Use before Serial No. 2313400017) 48	24 126 12	12	<b>Kit, low mount muffler – starter side outlet</b> (Includes 4-8,13) 7	24 786 06
6	<b>Bracket, muffler</b> (Use before Serial No. 2435400017) 211	24 126 12	12	<b>Kit, low mount muffler – starter side outlet</b> (Includes 4-8,13) (Use before Serial No. 2330400017) 207	24 786 06
7	<b>Screw, hex. flange M6x1.0x12 (2)</b> 1,5,7,14,33,35,36,42,43,44,204, 206,207,208,210,211,212,214, 216,219,220	M-0650012	12	<b>Kit, low mount muffler – starter side outlet</b> (Includes 4-8,13) (Use after Serial No. 2303700007) 212	24 786 06
			13	<b>Muffler, canister – starter side outlet</b> 7,14,200,211	24 068 06
			13	<b>Muffler, canister – starter side outlet</b> (Use before Serial No. 2330400017) 207	24 068 06

# CH18-25

## Exhaust (Cont.)

Index Number	Description Variation Number	Part Number	Index Number	Description Variation Number	Part Number
13	<b>Muffler, canister – starter side outlet</b> (Use after Serial No. 2303700007) 212	24 068 06	17	<b>Guard, muffler</b> 14,40,42,44,211,214,219,220	24 314 02
14	<b>Bracket, exhaust guard</b> 14,44,214	24 126 10	18	<b>Screw, pan hd. M5x0.8x10 (2)</b> 14,40,42,44,211,214,219,220	M-0555010
14	<b>Bracket, exhaust guard</b> (Use before Serial No. 2435400017) 211	24 126 10	18	<b>Screw, pan hd. M5x0.8x10 (4)</b> 19,50,205,213	M-0555010
15	<b>Kit, muffler guard</b> (Includes 16-19) 14,40,42,44	24 755 80	18	<b>Screw, pan hd. M5x0.8x10 (8)</b> 39,205,209	M-0555010
15	<b>Kit, muffler guard</b> (Includes 16-19) (Use before Serial No. 2435400017) 211	24 755 80	18	<b>Screw, pan hd. M5x0.8x10 (4)</b> (Use after Serial No. 2313400007) 48	M-0555010
16	<b>Screw, hex. flange M5x0.8x16 (2)</b> 14,40,42,44,211,214,219,220	M-0545016	18	<b>Screw, pan hd. M5x0.8x10 (4)</b> (Use after Serial No. 2334800007) 217	M-0555010
			19	<b>Bracket, exhaust guard</b> 14,40,42,44,211,219,220	24 126 48

Exhaust  
(Cont.)



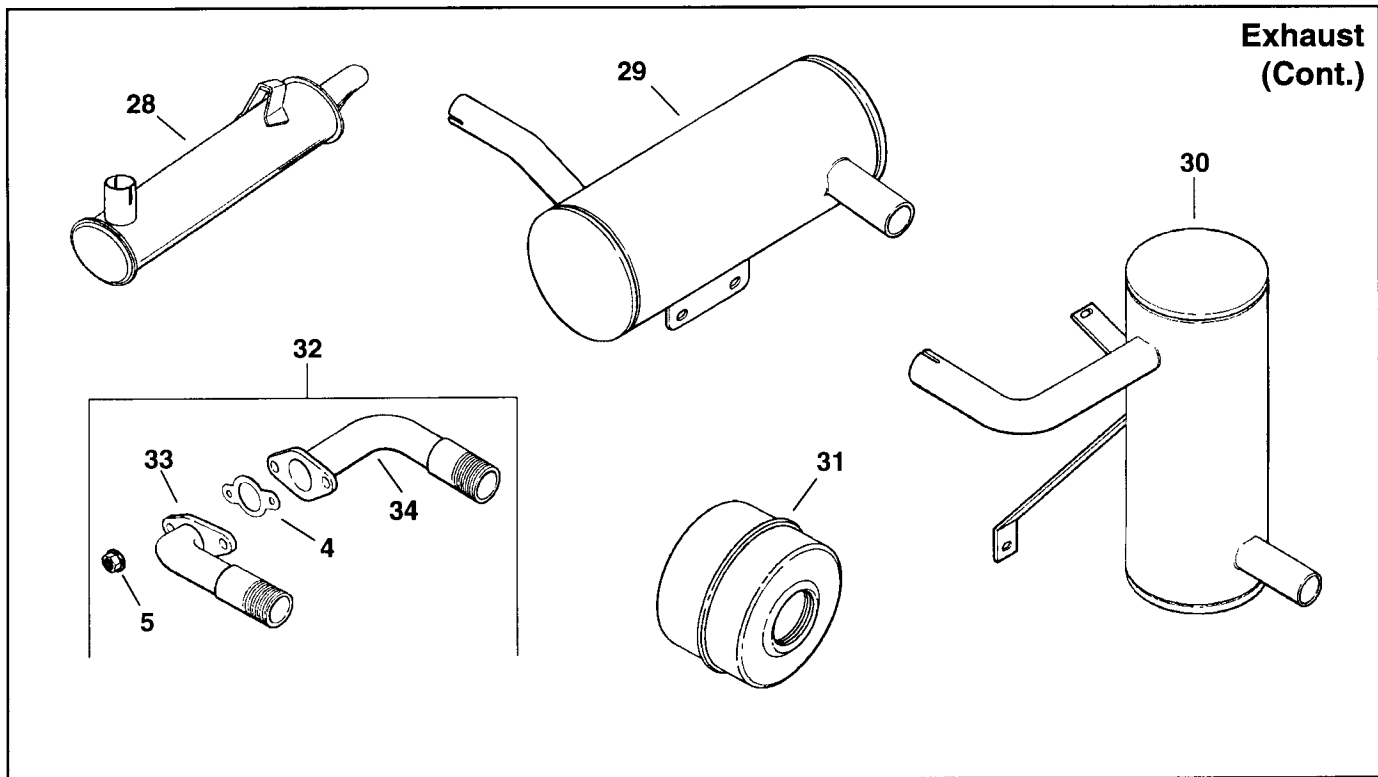
Index Number	Description Variation Number	Part Number	Index Number	Description Variation Number	Part Number
20	Kit, low mount muffler – center outlet (Includes 4-8,21,22) 40,43	24 786 10	23	Kit, low mount muffler – oil filter side #2 outlet (Includes 4-8,22,24) 35,36	24 786 11
21	Muffler, canister – center outlet 40,43,220,221	24 068 12	24	Muffler, canister – oil filter side #2 outlet 35,36	24 068 18
22	Shield, heat 33,35,36,40,42,43,219,220,221	24 314 04			



# CH18-25

## Exhaust (Cont.)

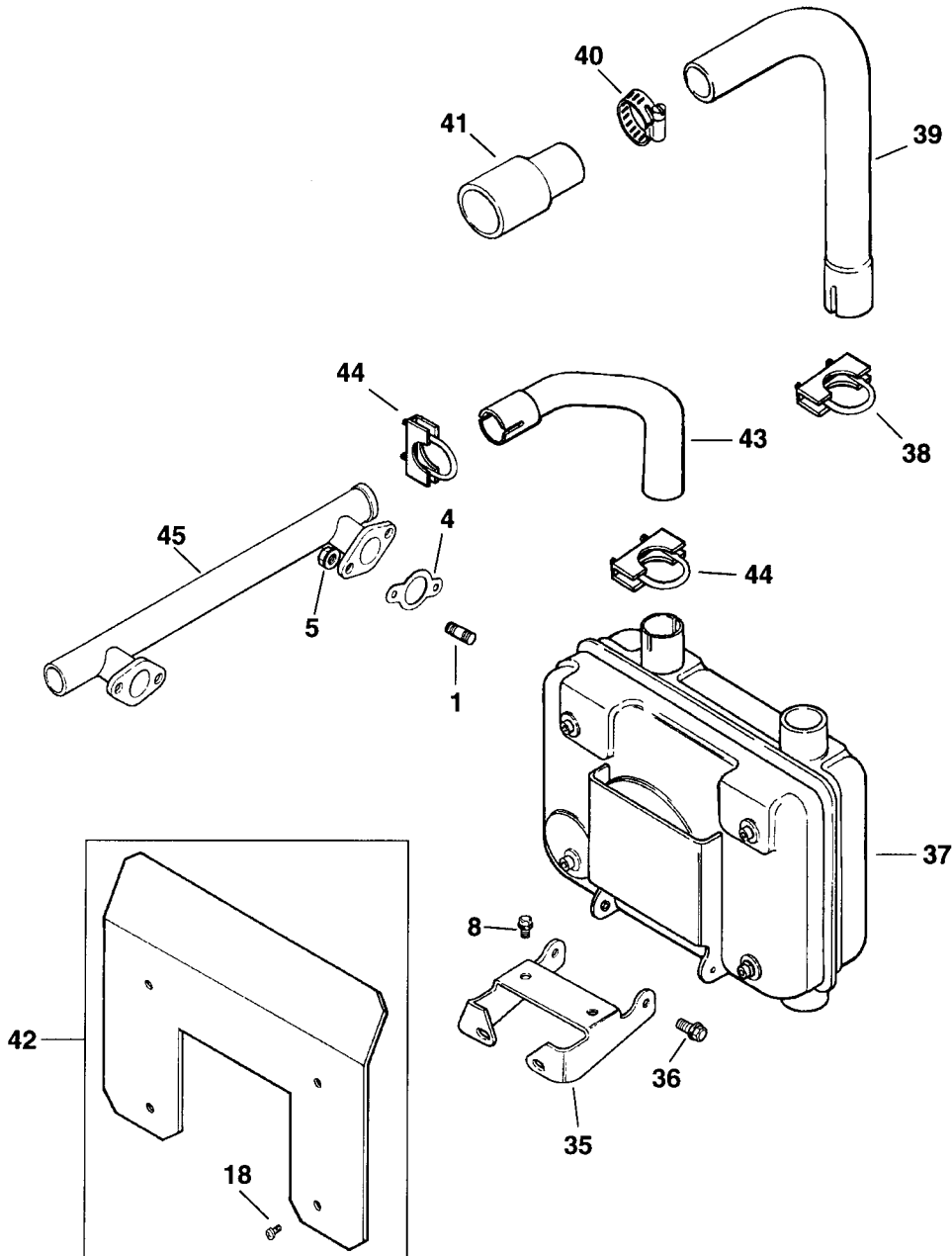
Index Number	Description Variation Number	Part Number	Index Number	Description Variation Number	Part Number
25	<b>Kit, low mount muffler – starter side #1 outlet</b> (Includes 4-8,22,26) 33,42	24 786 12	26	<b>Muffler, canister – starter side #1 outlet</b> 33,42,216,219	24 068 17
			27	<b>Muffler, canister</b> 9	24 068 11



Index Number	Description Variation Number	Part Number	Index Number	Description Variation Number	Part Number
28	<b>Muffler, canister</b> 203	237550	32	<b>Kit, exhaust manifold</b> (Includes 4,5,33,34) 45	24 730 01
29	<b>Muffler, canister</b> 201	24 068 15	33	<b>Manifold, exhaust – #2 side</b> 45	24 164 08
30	<b>Muffler, canister</b> 202	24 068 16	34	<b>Manifold, exhaust – #1 side</b> 45	24 164 09
31	<b>Muffler (2)</b> 45	275679			

# CH18-25

## Exhaust (Cont.)



Index Number	Description Variation Number	Part Number	Index Number	Description Variation Number	Part Number
35	<b>Bracket, muffler</b> 19,39,50,205,209,213	24 126 15	36	<b>Screw, hex. flange M6x1.0x16 (2)</b> 213	M-0649016
35	<b>Bracket, muffler</b> (Use after Serial No. 2313400007) 48	24 126 15	36	<b>Screw, hex. flange M6x1.0x16 (2)</b> (Use after Serial No. 2434800007) 217	M-0645016
35	<b>Bracket, muffler</b> (Use after Serial No. 2434800007) 217	24 126 15	37	<b>Muffler, side mount – starter side</b> 50	24 068 24
36	<b>Screw, hex. flange M6x1.0x16 (2)</b> 19,39,50,205,209	M-0645016	37	<b>Muffler, side mount – starter side</b> (Use after Serial No. 2434800007) 217	24 068 24
36	<b>Screw, hex. flange M6x1.0x16 (2)</b> (Use after Serial No. 2313400007) 48	M-0645016	38	<b>Clamp, muffler</b> 50	237548

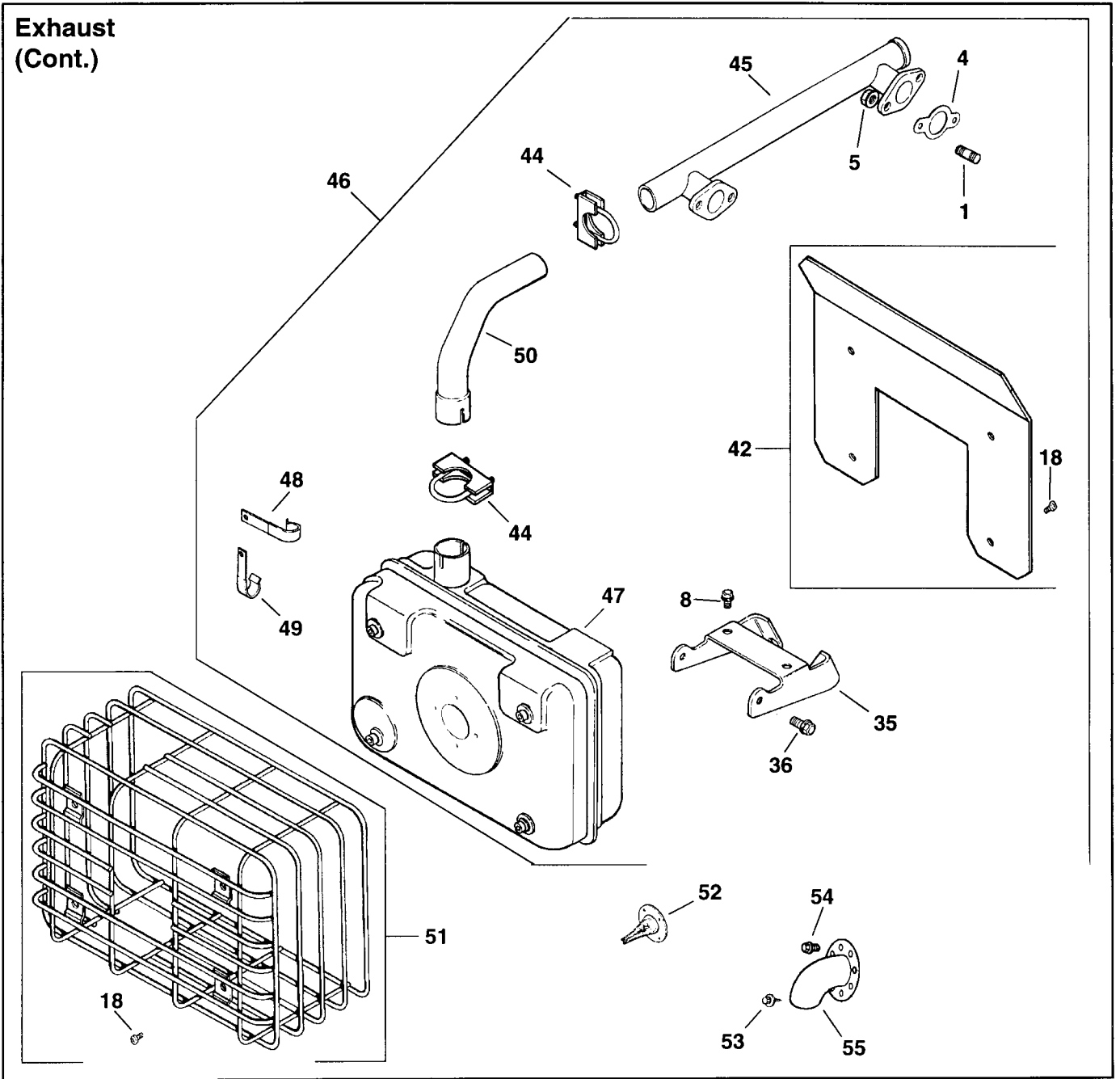
CH18-25

Exhaust  
(Cont.)

Index Number	Description Variation Number	Part Number	Index Number	Description Variation Number	Part Number
38	<b>Clamp, muffler</b> (Use after Serial No. 2434800007) 217	237548	43	<b>Pipe, exhaust</b> 39,50	24 382 03
39	<b>Tube, connector</b> 50	24 123 14	43	<b>Pipe, exhaust</b> (Use after Serial No. 2434800007) 217	24 382 03
39	<b>Tube, connector</b> (Use after Serial No. 2434800007) 217	24 123 14	44	<b>Clamp, muffler (2)</b> 19,39,50,205,209,213	24 237 01
40	<b>Clamp, hose</b> 50	X-426-8	44	<b>Clamp, muffler (2)</b> (Use after Serial No. 2313400007) 48	24 237 01
40	<b>Clamp, hose (2)</b> 217	X-426-8	44	<b>Clamp, muffler</b> (Use after Serial No. 2434800007) 217	24 237 01
41	<b>Hose, step</b> 50	24 326 09	45	<b>Manifold, exhaust</b> 19,41,205,209,213,215	24 164 11
41	<b>Hose, step</b> (Use after Serial No. 2434800007) 217	24 326 09	45	<b>Manifold, exhaust</b> 39,50	24 164 10
42	<b>Kit, heat shield</b> (Includes 18) 19,39,50,205,209,213	24 755 45	45	<b>Manifold, exhaust</b> (Use after Serial No. 2313400007) 48	24 164 11
42	<b>Kit, heat shield</b> (Includes 18) (Use after Serial No. 2313400007) 48	24 755 45	45	<b>Manifold, exhaust</b> (Use after Serial No. 2434800007) 217	24 164 10
42	<b>Kit, heat shield</b> (Includes 18) (Use after Serial No. 2424800007) 217	24 755 45			

# CH18-25

## Exhaust (Cont.)

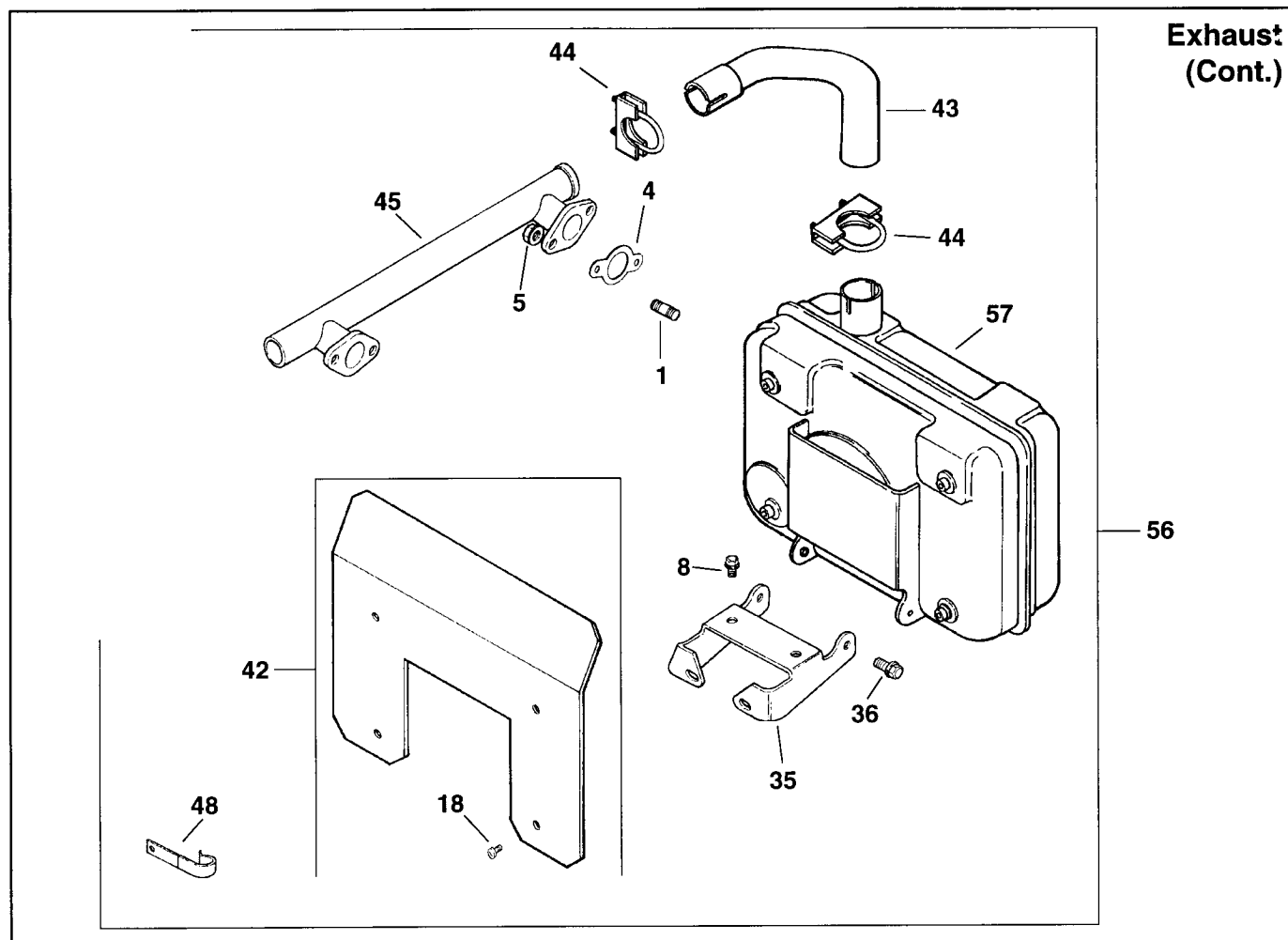


Index Number	Description Variation Number	Part Number	Index Number	Description Variation Number	Part Number
46	Kit, side mount muffler – oil filter side outlet (Includes 4,5,8,18,35,36,42,44,45, 47-50) (Use after Serial No. 2313400007) 19,48	24 786 09	46	Kit, side mount muffler – oil filter side outlet (Includes 4,5,8,18,35,36,42,44,45, 47-50) (Use before Serial No. 2311800007 for complete replacement. After installation of kit or after Serial No. 2311800007, individual kit components maybe ordered for replacement.) 209	24 786 09
			47	Muffler, oil filter side outlet 19,205,209,213,215	24 068 14

# CH18-25

## Exhaust (Cont.)

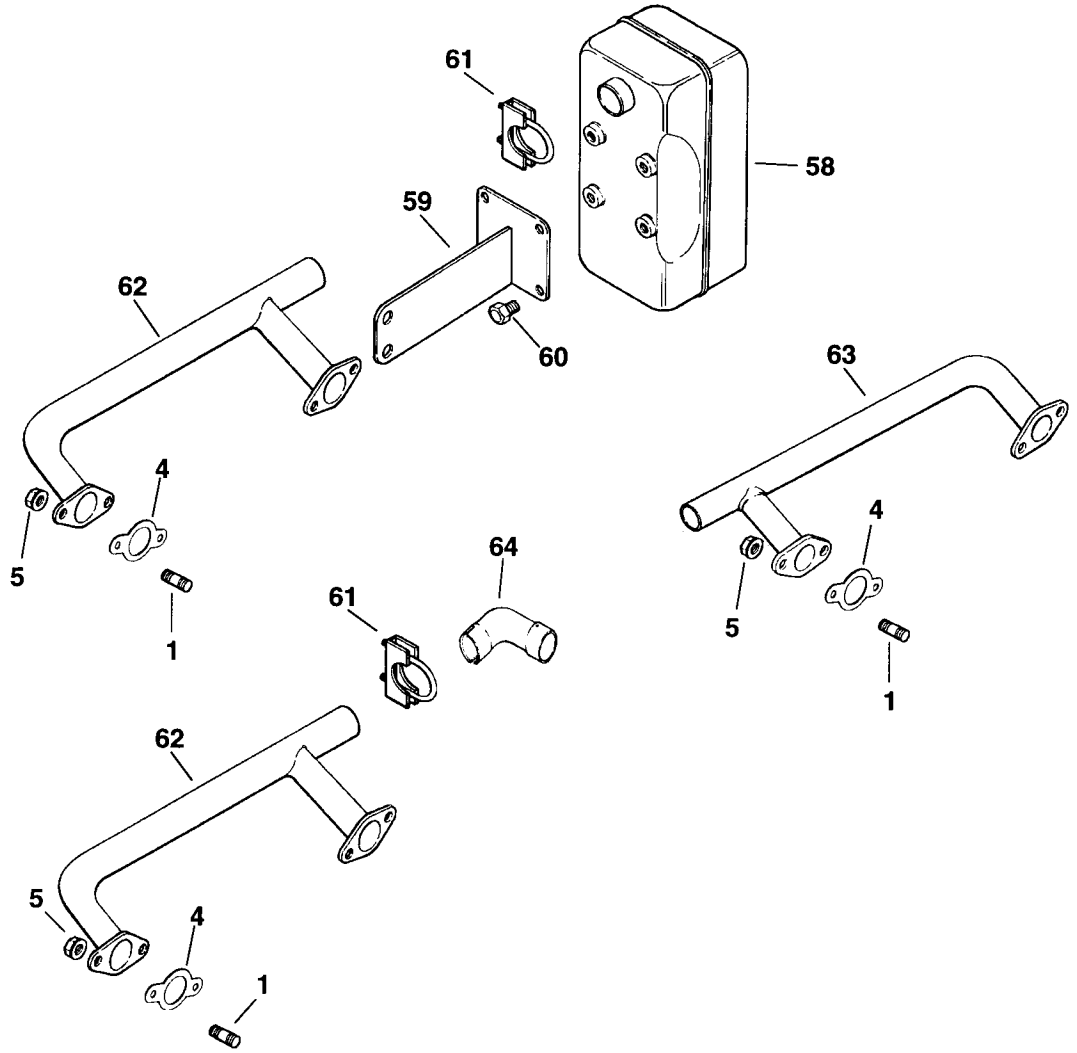
Index Number	Description Variation Number	Part Number	Index Number	Description Variation Number	Part Number
47	<b>Muffler, oil filter side outlet</b> (Use after Serial No. 2313400007) 48	24 068 14	50	<b>Pipe, exhaust</b> 19,205,209,213,215	24 382 04
48	<b>Clip, cable</b> 19,39,209	24 154 03	51	<b>Kit, muffler guard</b> (Includes 18) 39,205,215	24 755 22
48	<b>Clip, cable</b> (Use after Serial No. 2313400007) 48	24 154 03	51	<b>Kit, muffler guard</b> (Includes 18) (Use after Serial No. 2313400007) 48	24 755 22
49	<b>Clip, cable</b> 19,209	47 154 01	52	<b>Arrestor, spark</b> 205	12 189 02
49	<b>Clip, cable</b> (Use after Serial No. 2113400007) 48	47 154 01	53	<b>Screw, sems drill 8-18x9/16" (4)</b> 205	25 086 40
50	<b>Pipe, exhaust</b> (Use after Serial No. 2313400007) 48	24 382 04	54	<b>Screw, hex. flange M5x0.8x10 (4)</b> 205	M-0545010
			55	<b>Deflector, exhaust</b> 205	12 265 03



Index Number	Description Variation Number	Part Number	Index Number	Description Variation Number	Part Number
56	<b>Kit, muffler - starter side</b> (Includes 4,5,8,18,35,36,42-45,48,57) 39	24 786 08	57	<b>Muffler, starter side outlet</b> 39	24 068 13

# CH18-25

## Exhaust (Cont.)



Index Number	Description Variation Number	Part Number	Index Number	Description Variation Number	Part Number
58	Muffler, starter side outlet 29	24 068 19	62	Manifold, exhaust – #1 side 29	24 164 15
59	Bracket, muffler 29	24 126 32	62	Manifold, exhaust – #1 side (Use after Serial No. 2330700007) 207	24 164 03
60	Screw, sems hex. cap 10-24x13/32" (4) 29	X-67-96	63	Manifold, exhaust – #2 side 11,20,201,202	24 164 04
61	Clamp, muffler 20,29,201,202	12 237 02	64	Elbow, exhaust 20	25 054 04
62	Manifold, exhaust – #1 side 8	24 164 03			

## CH18-25

Description	Part Number
<b>Gasket Set (w/seals)</b>	<b>24 755 03*</b>
Set Includes:	
Seal, governor crossshaft	12 032 01
O-Ring	12 153 01
O-Ring	12 153 02
O-Ring	12 153 03
O-Ring	24 153 08
Seal, breather	230046
Seal, oil front	24 032 01
Seal, oil	52 032 08
Seal, inner air cleaner	24 032 03
Seal	24 032 04
Seal, valve stem (2)	24 032 05
Gasket, intake manifold (2)	24 041 01
Gasket, exhaust (2)	24 041 02
Gasket, air cleaner base	24 041 06
Gasket, cylinder head (2)	24 041 08
Gasket, oil filter adapter	24 041 12
Gasket, fuel spitback cup	24 041 13
Gasket, air cleaner	24 041 14
Gasket, carburetor	24 041 15
Gasket, cylinder head	24 041 16
Gasket, carburetor	24 041 17
Gasket, breather	24 041 23
Gasket, air cleaner cover knob	24 041 27

**\*NOTE: When using this gasket set on a CH25 engine, it must have a date code of 402 and above.**

FOR SALES AND SERVICE INFORMATION  
IN U.S. AND CANADA, CALL  
**1-800-544-2444**

**KOHLER**<sup>®</sup>engines

ENGINE DIVISION, KOHLER CO., KOHLER, WISCONSIN 53044

FORM NO.:	TP-2439-C
ISSUED:	4/92
REVISED:	4/95
MAILED:	12/95

LITHO IN U.S.A.